



JCDC-2

2.0 HP Mobile Cyclone Dust Collector
Mobiler 2,0-HP-Fliehkraft-Staubabscheider
Collecteur de poussière cyclonique mobile 2.0 HP

Original:

GB

Operating Instructions

DE

Bedienungsanleitung

FR

Instructions de fonctionnement



JPW (Tool) AG

Tämperlistrasse 5

8117 Fällanden

Switzerland

Phone +41 44 806 47 48

Fax +41 44 806 47 58



www.jettools.com

M-717520M

2016-04

CE-Conformity Declaration
CE-Konformitätserklärung
Déclaration de Conformité CE

Product / Produkt / Produit:

Dust Collector / Staubfänger / Collecteur de poussière

JCDC-2.0-M

(717520M)

Brand / Marke / Marque:

JET

Manufacturer / Hersteller / Fabricant:

JPW (Tool) AG, Tämperlistrasse 5, CH-8117 Fällanden

Schweiz / Suisse / Switzerland

We hereby declare that this product complies with the regulations
Wir erklären hiermit, dass dieses Produkt der folgenden Richtlinie entspricht
Par la présente, nous déclarons que ce produit correspond aux directives suivantes

2006/42/EC

Machinery Directive / Maschinenrichtlinie / Directive Machines

2014/30/EU

electromagnetic compatibility / elektromagnetische Verträglichkeit / compatibilité électromagnétique

designed in consideration of the standards
und entsprechend folgender zusätzlicher Normen entwickelt wurde
et été développé dans le respect des normes complémentaires suivantes

EN ISO 12100 : 2010

EN 60204-1 : 2006+AC:2010

EN 55014-1:2006+A2:2011

EN 55014-2:2015

Responsible for the Documentation / Dokumentations-Verantwortung / Responsabilité de Documentation:
Hansjörg Meier

Head Product-Mgmt. / Leiter Produkt-Mgmt. / Resp. Gestion des Produits
JPW (Tool) AG



2016-11-14 Alain Schmid, General Manager
JPW (Tool) AG, Tämperlistrasse 5, CH-8117 Fällanden Schweiz / Suisse / Switzerland

GB - ENGLISH

Operating Instructions

Dear Customer,

Many thanks for the confidence you have shown in us with the purchase of your new JET-product. This manual has been prepared for the owner and operators of a JET JCDC-2.0 cyclone dust collector to promote safety during installation, operation and maintenance procedures. Please read and understand the information contained in these operating instructions and the accompanying documents. To obtain maximum life and efficiency from your dust collector, and to use it safely, read this manual thoroughly and follow instructions carefully.

Warranty

The Seller guarantees that the supplied product is free from material defects and manufacturing faults. This warranty does not cover any defects which are caused, either directly or indirectly, by incorrect use, carelessness, accidental damage, repair, inadequate maintenance or cleaning and normal wear and tear.

Guarantee and/or warranty claims must be made within twelve months from the date of purchase (date of invoice). Any further claims shall be excluded.

This warranty includes all guarantee obligations of the Seller and replaces all previous declarations and agreements concerning warranties.

The warranty period is valid for eight hours of daily use. If this is exceeded, the warranty period shall be reduced in proportion to the excess use, but to no less than three months.

Returning rejected goods requires the prior express consent of the Seller and is at the Buyer's risk and expense.

Further warranty details can be found in the General Terms and Conditions (GTC). The GTC can be viewed at www.jettools.com or can be sent by post upon request.

The Seller reserves the right to make changes to the product and accessories at any time.

About this manual

This manual is provided by JET, covering the safe operation and maintenance procedures for a JET Model JCDC-2 Cyclone Dust Collector. This manual contains instructions on installation, safety precautions, general operating procedures and maintenance instructions. Your machine has been designed and constructed to provide consistent, long-term operation if used in accordance with the instructions as set forth in this document.

This manual is not intended to be an exhaustive guide to dust removal strategies, installation of shop duct work, or the use of optional dust collection accessories. Additional knowledge may be obtained from experienced users or trade articles. Whatever accepted methods are used, always make personal safety a priority.

If there are questions or comments about this product, please contact your local supplier or JET. JET can also be reached at our web site: www.jettools.com.

Retain this manual for future reference. If the machine transfers ownership, the manual should accompany it.



1.0 IMPORTANT SAFETY INSTRUCTIONS

When using an electrical appliance, basic precautions should always be followed, including the following:

READ ALL INSTRUCTIONS BEFORE USING THIS DUST COLLECTOR.

WARNING – To reduce the risk of fire, electric shock, or injury:

1. Read and understand entire owner's manual before attempting assembly or operation.
2. Read and understand the warnings posted on the machine and in this manual.
3. Replace warning labels if they become obscured or removed.
4. This dust collector is designed and intended for use by properly trained and experienced personnel only. If you are not familiar with the proper and safe operation of a dust collector, do not use until proper training and knowledge have been obtained.
5. Do not use this dust collector for other than its intended use. If used for other purposes, JET disclaims any real or implied warranty and holds itself harmless from any injury that may result from that use.
6. Always wear approved safety glasses/face shield while using this dust collector. Everyday eyeglasses only have impact resistant lenses; they are not safety glasses.
7. Keep hair, loose clothing, fingers, and all parts of body away from openings and moving parts.
8. Wear hearing protection (plugs or muffs) during extended periods of operation.
9. Some dust created by power sanding, sawing, grinding, drilling and other construction activities contains chemicals known to cause cancer, birth defects or other reproductive harm. Some examples of these chemicals are:
 - Lead from lead based paint.
 - Crystalline silica from bricks, cement and other masonry products.
 - Arsenic and chromium from chemically treated lumber.

Your risk of exposure varies, depending on how often you do this type of work. To reduce your exposure to these chemicals, work in a well-ventilated area and work with approved safety equipment, such as face or dust masks that are specifically designed to filter out microscopic particles.

10. Do not operate this machine while tired or under the influence of drugs, alcohol or any medication.
11. Make certain the switch is in the **OFF** position before connecting the machine to the power supply. Turn off all controls before unplugging.
12. Make certain the machine is properly grounded. Connect to a properly grounded outlet only. See Grounding instructions.
13. Make all machine adjustments or maintenance with the machine unplugged from the power source.
14. Remove adjusting keys and wrenches. Form a habit of checking to see that keys and adjusting wrenches are removed from the machine before turning it on.
15. Keep safety guards in place at all times when the machine is in use. If removed for maintenance purposes, use extreme caution and replace the guards immediately after maintenance is complete.
16. Check damaged parts. Before further use of the machine, a guard or other part that is damaged should be carefully checked to determine that it will operate properly and perform its intended function. Check for alignment of moving parts, binding of moving parts, breakage of parts, mounting and any other conditions that may affect its operation. A guard or other part that is damaged should be properly repaired or replaced.
17. Provide for adequate space surrounding work area and non-glare, overhead lighting.
18. Keep the floor around the machine clean and free of scrap material, oil and grease.
19. Keep visitors a safe distance from the work area. **Keep children away.**
20. Make your workshop child proof with padlocks, master switches or by removing starter keys.
21. Give your work undivided attention. Looking around, carrying on a conversation and "horse-play" are careless acts that can result in serious injury.
22. The dust collector is intended for indoor use. To reduce the risk of electric shock, do not use outdoors or on wet surfaces.
23. Do not use this dust collector for anything except wood dust. Materials such as liquids, metal shavings, metal dust, screws, glass, plastic or rock can cause sparks and/or damage when coming into contact with any part of the dust collector.
24. Do not use to pick up anything that is burning or smoking, such as cigarettes, matches or hot ashes.
25. Do not use to pick up flammable or combustible liquids such as gasoline, or use in areas where they may be present.

26. Do not pull or carry by cord, use cord as a handle, close a door on cord, or pull cord around sharp edges or corners. Do not run dust collector over cord. Keep cord away from heated surfaces.
27. Do not use this dust collector with a damaged cord or plug. If the unit is not working as it should, has been dropped, damaged, left outdoors, or dropped into water, return it to a service center.
28. Do not unplug by pulling on cord. To unplug, grasp the plug, not the cord.
29. Do not use without dust bag and/or filters in place.
30. Do not handle plug or machine with wet hands.
31. Do not put any objects into the openings. Do not use with any opening blocked; keep free of dust, lint, hair, and anything that may reduce air flow.
32. Do not operate without hose connected to the inlet. Place cap on unused inlet port. Hazardous moving parts inside. Unplug before removing or connecting inlet or inlet guard.
33. Use recommended accessories; improper accessories may be hazardous.
34. Maintain tools with care. Follow instructions for lubricating and changing accessories.
35. Turn off machine and disconnect from power before cleaning. Use a brush or compressed air to remove chips or debris; do not use bare hands.
36. Do not leave the machine when it is plugged in. Unplug from outlet when not in use and before servicing.
37. Do not stand on the machine. Serious injury could occur if the machine tips over.
38. The dust collector is intended for household use.

Familiarize yourself with the following safety notices used in this manual:



This means that if precautions are not heeded, it may result in minor injury and/or possible machine damage.



This means that if precautions are not heeded, it may result in serious, or possibly even fatal, injury.

SAVE THESE INSTRUCTIONS

2.0 Direction / Safety Label

Figure 1 Shows the general safety rules to operate this machine

CAUTION

ALWAYS USE CAUTION WHEN OPERATING THIS MACHINE

DO'S:
 ALWAYS THINK BEFORE ACTING.
 BE SURE MACHINE IS CONNECTED TO PROPER VOLTAGE AND IS ELECTRICALLY GROUNDED.
 CAREFULLY READ INSTRUCTION MANUAL BEFORE OPERATING MACHINE.
 ALWAYS UNPLUG THE MACHINE WHEN PERFORMING MAINTENANCE, ADJUSTMENTS OR CLEANING.
 MAKE SURE ALL PEOPLE ARE CLEAR FROM ANY DANGEROUS AREAS.
 CONFINE HAIR AND REMOVE ANY LOOSE ARTICLES OF CLOTHING SUCH AS NECKTIES, ETC.
 REMOVE JEWELRY SUCH AS FINGER RINGS, WATCHES, BRACELETS, ETC.
 KEEP THE FLOOR AROUND THE MACHINE CLEAN AND FREE FROM SCRAPS, SAWDUST, OIL OR GREASE TO MINIMIZE THE DANGER OF SLIPPING.

DO NOT'S:
 NEVER OPERATE MACHINE UNLESS PROPERLY TRAINED.
 NEVER OPEN OR REMOVE GUARDS UNTIL MACHINE IS STOPPED.
 NEVER PLACE HANDS IN AREA NEAR MOVING PARTS OR MOVING MATERIAL.
 DO NOT OPERATE WHILE UNDER INFLUENCE OF DRUGS, ALCOHOL, OR MEDICATION.

FAILURE TO HEED THESE WARNINGS CAN RESULT IN SERIOUS INJURY.

CT-C018

CAUTION

	Read and understand operator's manual before using this machine. Failure to follow operating instructions could result in death or serious injury.
	Loud noise hazard. Ear protection is required when operating this machine.
	Flying objects hazard. Eye protection is required when operating this machine.
	Respiratory hazard. Wear approved respirator in this area.

Figure 2 Product Brand Logo



Figure 3 Machine ID label : Shows the machine's specifications and series number

JET			
Model	JCDC-2 Cyclone Dust Collector	CE	
Power	1~230V 50Hz 10A P2=1.5kW S1		
Specification	$\dot{V} \leq 2159 \text{ m}^3/\text{h}$ $p = 1872 \text{ Pa}$ $\phi = 150\text{mm} (2 \times 100\text{mm})$		
Article No.	717520M	Weight	88 kg
Series No.		Year	
JPW (Tool) AG, CH-8117 Fällanden, Switzerland www.jettools.com Made In Taiwan			

Figure 4 Warns user of hazardous voltage, and should be open up by trained personnel only.



Figure 5 Warns user of heated hot surface hazard



Figure 6 Indicate the main electrical power supply wire's location, and the label itself.

230V

Figure 7 Motor & Fan Rotation Direction



Figure 8 Notice the operator do not put the foot on the base.

WARNING

1. If the operator put the foot on the base, the moving wheels can cause the operator falling down.
2. Keep away from the base.
3. Please do not tread on the base.




Figure 9 Grounding Notice



3.0 Specifications

Model number **JCDC-2.0-M**
Stock number 717520M

Motor and electricals:

Motor type totally enclosed fan cooled, induction, capacitor start
Horsepower 1.5kW
Phase single
Voltage 230V only
Cycle 50Hz
Listed FLA (full load amps) 10 A
Start capacitor 300MFD 125VAC
Run capacitor 30µF 250V
On/off switch push-button, magnetic contactor with overload protection
Motor speed 2800 RPM
Power cord H05VV-F, 3G 1.5mm²
Power plug VDE CE Plug 16A/250V installed
Recommended circuit and fuse/breaker size ¹ 16 A
Sound emission (at 9.84 ft./3m) ² 76 dB
Remote control system radio frequency (FCC approved); range up to 15 m
RC transmitter battery 2 x AAA, 1.5V
Timer setting 2, 4, 6, 8 hours

Performance:

Inlet diameter 152 mm
Inlet adaptors, number of 2
Inlet adaptors, diameter of 100 mm
Filter efficiency 99% of 2 micron particles

Air Flow Rate with filters installed 2159 m³/h
Air Velocity 32.8 m/s
Static pressure loss (WC) 102 mmH₂O
Maximum static pressure loss (WC) 191 mmH₂O

Impeller:

Impeller diameter 368 mm
Impeller type radial fin
Impeller material steel

Canister filter:

Filter type cartridge and spunbond polyester
Canister filter diameter 370 mm
Canister filter length 575 mm
Filter surface area 2.6 m²
Filter efficiency 99% of 2 micron particles
Cleaning system manual scraper rotation

Collection drum:

Capacity 113.6 l
Diameter 500 mm
Height 565 mm
Material steel

¹ Subject to local/national electrical codes. Recommendation based upon dedicated circuit.

² The specified values are emission levels and are not necessarily to be seen as safe operating levels. As workplace conditions vary, this information is intended to allow the user to make a better estimation of the hazards and risks involved only.

Collection bags:

Bag material.....polyethylene
Drum collection bag size (Dia. x L) 780 x 830 mm
Canister collection bag size (Dia. x L).....500 x 600 mm

Main materials:

Frame.....steel tubing
Body..... 68 l steel
Paint finish powder coated

Dimensions:

Footprint/base dimensions (L x W) 1286 x 658 mm
Overall dimensions, assembled (L x W x H) 658 x 1286 x 1835 mm
Overall dimensions, shipping carton (L x W x H) 1145 x 675 x 1050 mm

Weights:

Net weight 94 kg
Shipping weight, approximate..... 107 kg

The specifications in this manual were current at time of publication, but because of our policy of continuous improvement, JET reserves the right to change specifications at any time and without prior notice, without incurring obligations.



Read and understand the entire contents of this manual before attempting assembly or operation. Failure to comply may cause serious injury.

4.0 Setup and assembly

4.1 Unpacking and cleanup

Remove all contents from shipping carton and compare to the contents list in this manual. If shipping damage or any part shortages are identified, contact your distributor. Do not discard carton or packing material until dust collector is assembled and running satisfactorily.

4.2 Shipping contents – JCDC-2

Main carton (see Figure 1)

- 1 Main housing – A
- 1 Funnel – B
- 1 Base – C
- 1 Left stand – D₁
- 1 Right stand – D₂
- 1 Canister filter (with bag clamp) – E
- 1 Drum – F
- 1 Funnel clamp – G
- 1 Drum lid – H
- 1 Inlet adaptor – I
- 1 Hose – J
- 2 Hose clamp 12-1/2in. – K
- 4 Casters (for Base) – L
- 4 Casters (for Drum) – M
- 2 Side cap – N
- 1 Handle – O
- 1 Canister collection bag – P
- 1 Drum collection bag – Q
- 2 Quick lever – R
- 1 Bag frame – S
(consists of 4 long supports, 4 short supports, and 2 hoops)
- 1 Stand support – T
- 1 Foam tape, 490 mm – U
- 2 Foam tape, 970 mm – V
- 1 Foam tape, 1265 mm – W
- 1 Gasket – X
- 1 Remote controller with batteries (not shown)

Hardware package (p/n JCDC2-HP)
(see Figure 2)

- 17 Phillips pan head screw, 3/16x3/8 – HP1
- 6 Flange head screw, 5/16x1/2 – HP2
- 8 Phillips pan head screw, M5x8 – HP3
- 4 Flange head screw, 1/4x1/2 – HP4
- 1 Open-end wrench, 10/12mm – HP5
- 1 Hex wrench 4mm – HP6
- 1 Hex wrench 5mm – HP7

- 12 Flange head screw, 5/16x3/4 – HP8
- 6 Nut, 5/16 – HP9
- 16 Phillips pan head screw, M3x12 – HP10
- 16 Hex nut M3 – HP11

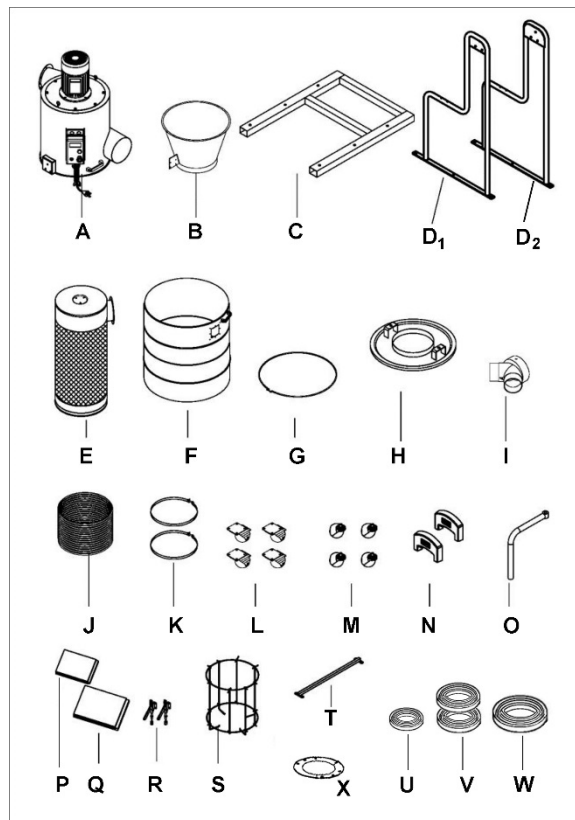


Figure 1: main carton contents (not to scale)

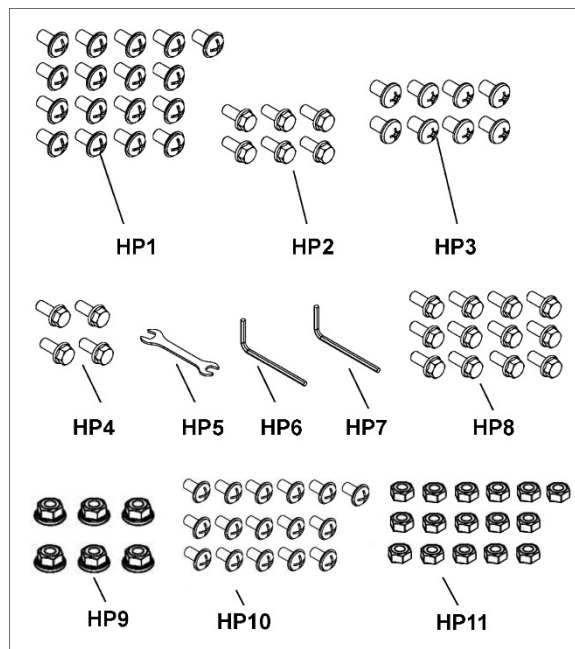


Figure 2: hardware package (not to scale)

4.3 Tools required for assembly

Hex keys, 4mm and 5mm (provided)
Open-end wrench, 10/12mm (provided)
Cross-point (Phillips) screwdriver

4.4 Assembly

1. Install four casters (L) to base (C) with pan head screws (HP1). See Figure 3.
2. Install left and right stands (D₁, D₂) to base (C) with flange head screws (HP8).
3. Install stand support (T) to stands with flange head screws (HP4).

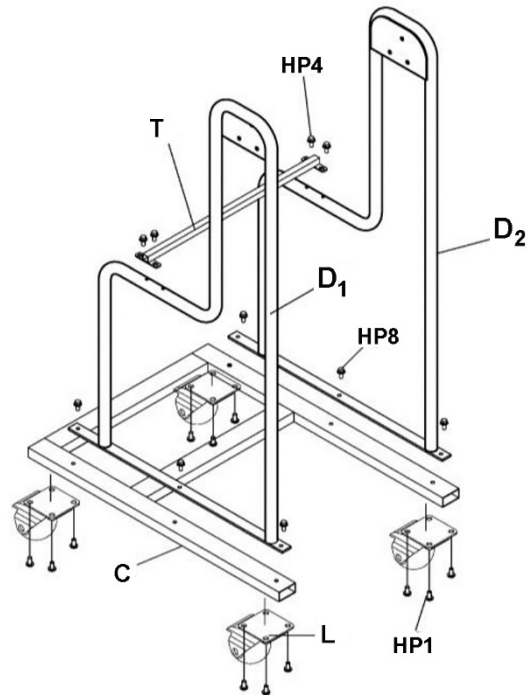


Figure 3

4. Install four casters (M) into the threaded nuts beneath drum (F). See Figure 4.

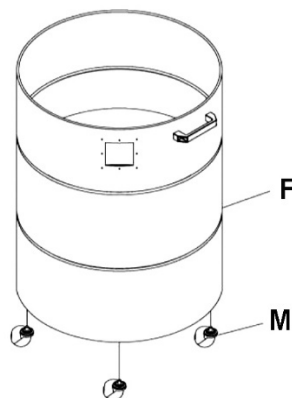


Figure 4

5. Lift main housing (A) using hoist with straps through lifting rings atop main housing. If hoist is not available, at least **2 persons** must lift housing.

CAUTION Main housing is heavy. Two-person lift, or use hoist.

6. Position main housing (A) between left and right stands (D₁,D₂), and secure with flange head screws (HP2). See Figure 5.

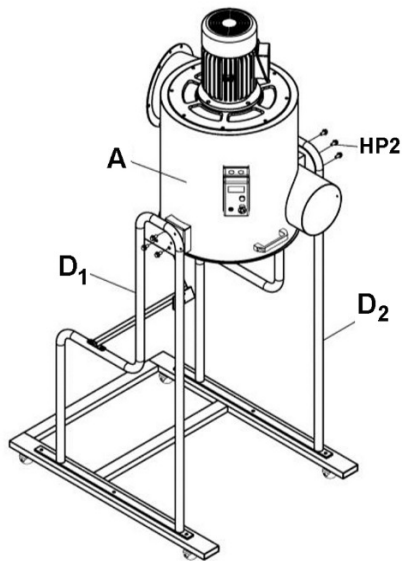


Figure 5

7. Install funnel (B) beneath main housing. Secure with funnel clamp (G). See Figure 6. Tighten screw on funnel clamp securely.

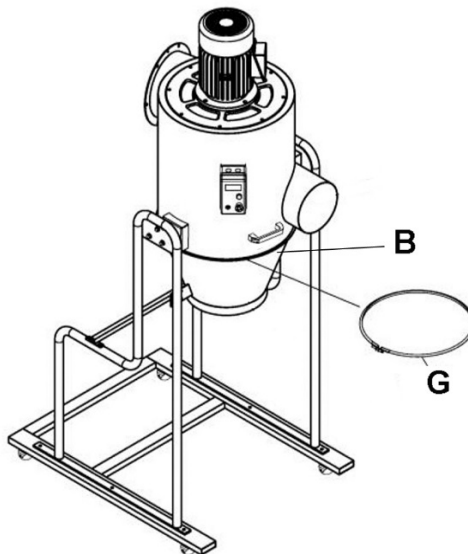


Figure 6

8. Install side cover (N) on left and right stands. See Figure 7.

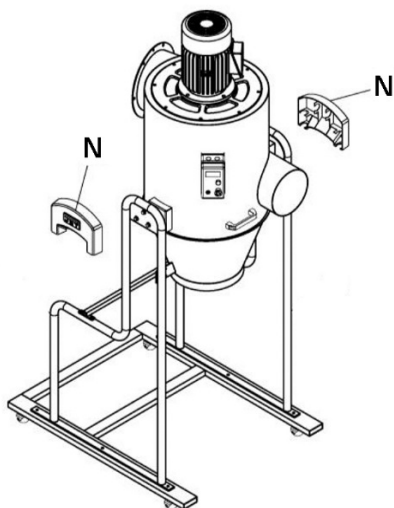


Figure 7

9. Install handle assembly (O) to canister filter (E) using set screw and nut. See Figure 8.

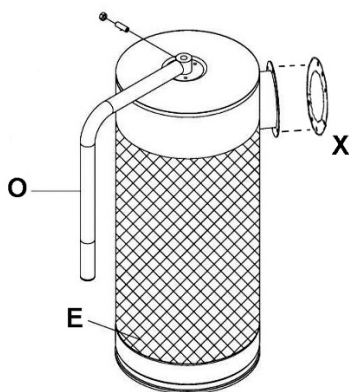


Figure 8

10. Place gasket (X) between canister filter and main housing. Install canister filter onto main housing, and tighten with flange head screws (HP8) and nuts (HP9). See Figure 9.

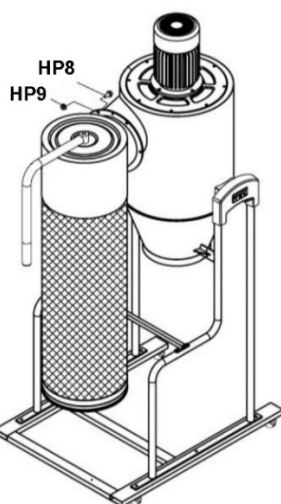


Figure 9

11. Apply foam tape (U) around inlet port near edge. See Figure 10. The foam tape should completely encircle the port.

12. Install inlet adaptor (I) on main housing and secure with pan head screw (HP1).
13. Apply foam tape (W) just above lower lip of canister filter. The foam tape should completely encircle the canister filter.
14. Install collection bag (P) to bottom of canister filter and secure with steel bag clamp (X).

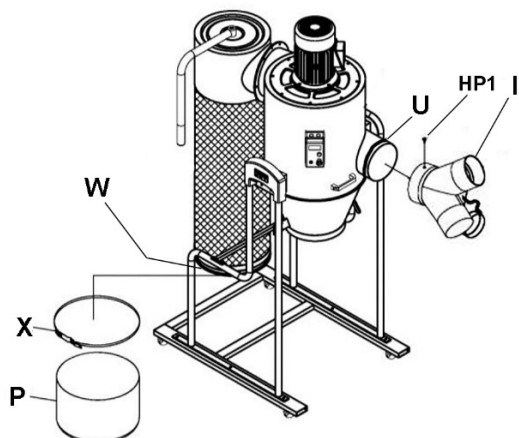


Figure 10

15. Apply foam tape (V) around funnel just above its bottom edge. See Figure 11. The foam tape should completely encircle the funnel.
16. Apply foam tape (V) around outside lip of drum opening. The foam should completely encircle the lip.

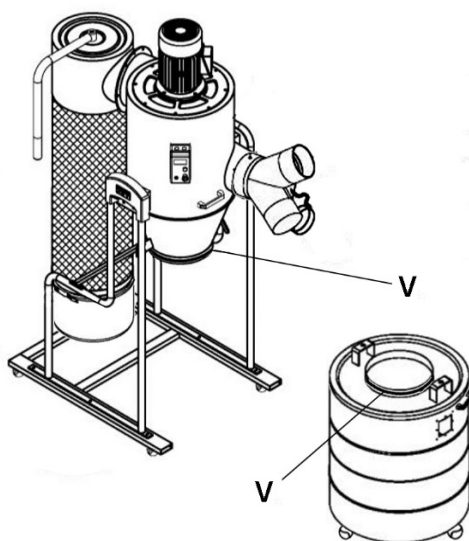


Figure 11

17. Install hose (J) onto cone and drum lid and secure with two hose clamps (K) at top and bottom. See Figure 12.

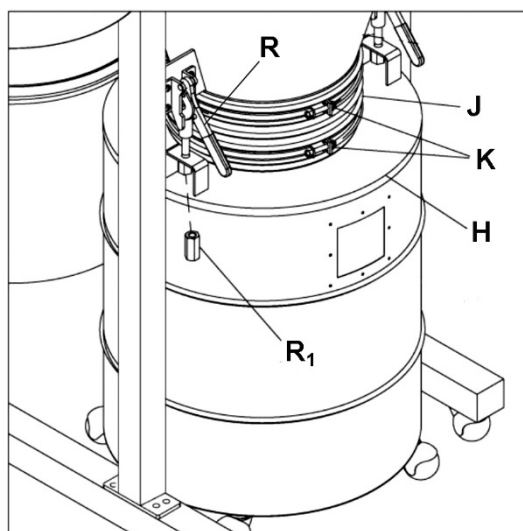


Figure 12

The bag frame maintains the shape of the bag in the negative-pressure environment of the cyclone drum. Assemble bag frame as follows:

18. Screw the short and long frame supports into the hoops in alternating manner, as shown in Figure 13. Secure with sixteen pan head screws and hex nuts (HP10,HP11). (Note: The bends on long supports point inward as shown.)

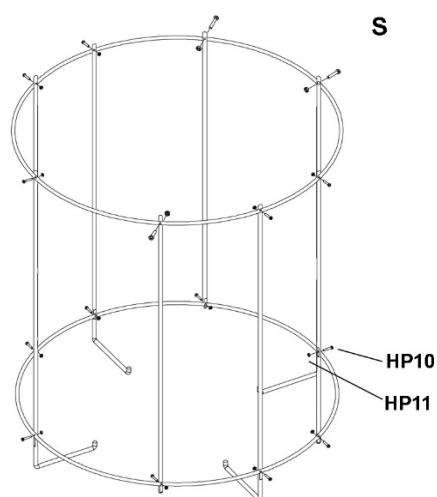


Figure 13

19. Place drum collection bag (Q) into drum with its top edge wrapped around top edge of drum. Place bag frame (S) inside bag and press down all the way. See Figure 14.
20. Pull down both quick levers (R, Figure 12) then assemble drum lid (H, Figure 12) to quick levers. Tighten long nut (R₁, Figure 12) onto each quick lever.
21. Raise drum lid using quick levers, and position drum beneath lid. Lower quick levers to secure lid upon drum.

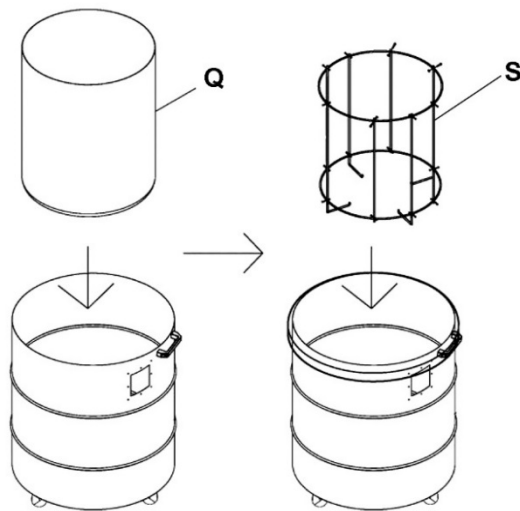


Figure 14

5.0 Electrical connections

⚠WARNING All electrical connections must be done by a qualified electrician in compliance with all local codes and ordinances. Failure to comply may result in serious injury.

Mains connection and any extension cords used must comply with applicable regulations.

The mains voltage must comply with the information on the machine license plate. The dust collector comes with a plug designed for use on a circuit with a *grounded outlet*.

Keep in mind that a circuit being used by other machines, tools, lights, heaters, etc. at the same time will add to the electrical load. A dedicated circuit to the dust collector will offer best results since dust collectors are generally used while other tools are running.

Before connecting to power source, be sure switch is in *off* position.

5.1 GROUNDING INSTRUCTIONS

This appliance must be grounded. If it should malfunction or breakdown, grounding provides a path of least resistance for electric current to reduce the risk of electric shock. This appliance is equipped with a cord having an equipment-grounding conductor and grounding plug. The plug must be inserted into an appropriate outlet that is properly installed and grounded in accordance with all local codes and ordinances.

⚠WARNING Improper connection of the equipment-grounding conductor can result in a risk of electric shock. Check with a qualified electrician or service person if you are in doubt as to whether the outlet is properly grounded. Do not modify the plug provided with the appliance – if it will not fit the outlet, have a proper outlet installed by a qualified electrician.

The conductor with insulation having an outer surface that is green with or without yellow stripes is the equipment-grounding conductor. If repair or replacement of the electric cord or plug is necessary, do not connect the equipment-grounding conductor to a live terminal.

Repair or replace damaged or worn cord immediately.

Make sure that the appliance is connected to an outlet having the same configuration as the plug. No adapter is available or should be used with this appliance. If the appliance must be reconnected for use on a different type of electric circuit, the reconnection should be made by qualified service personnel; and after reconnection, the appliance should comply with all local codes and ordinances.

6.0 Operations

6.1 Start/stop

Press green start button (A, Figure 15) to start dust collector. Press red stop button (B) to stop.

The stop button (B) remains engaged after being pushed. To restart dust collector, rotate stop button clockwise to disengage.



Figure 15

6.2 Remote controller

The RF (radio frequency) remote controller operates on 2 AA batteries (included). The batteries will need replacing periodically. The remote controller has an effective range up to approximately 50 feet (15 meters).

Press the + or – button to select desired timer setting: 2, 4, 6 or 8 hours. The dust collector will stop automatically at end of selected period. For continuous operation (no timer) select infinity (∞) position.

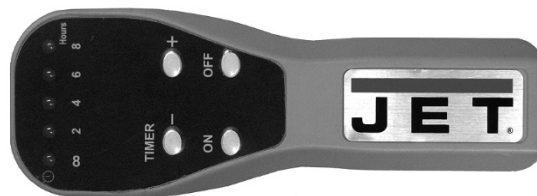


Figure 16

6.2.1 Remote controller reset

If the remote controller begins to function improperly, it should be cleared and reset.

To clear the remote controller, press and hold reset button (C, Figure 16) for 3 seconds until receiver “beeps” 3 times.

To reset the controller:

1. Press reset button (C, Figure 16) for 1 second until receiver “beeps” once.
2. Press and hold “ON” button on the remote controller until receiver “beeps” twice. (If you are using multiple remotes, perform step 2 on each remote before proceeding.)
3. Press and hold reset button (C) for 3 seconds until receiver “beeps” 3 times.

The remote controller is now ready.

6.3 Dust hose connection

Use proper type hose to connect dust collector to machine(s) being operated. *Dryer vent hose is not acceptable for this purpose.* Secure hose at both ends with proper clamps.

If an inlet port is not being used, it should remain capped. An open port will diminish the machine's efficiency, and may create a safety hazard.

Contact your nearest JET distributor for a line of Dust Collector hoses and accessories. You can customize your installation and obtain maximum performance with dust hoods, hoses, clamps, fittings, and blast gates.

7.0 User-maintenance

⚠WARNING Turn OFF dust collector and remove plug from power source before performing any adjustments or maintenance. Failure to comply may result in serious injury.

7.1 Thermal overload reset

The switch box contains overload protection to help prevent damage to the motor. The relay will open the circuit (shut off the dust collector) if the motor is drawing excessive current during extended periods of operation.

If the overload is tripped, allow the machine to cool down for several minutes. Then press reset button (D, Figure 15) and restart the dust collector.

7.2 Cleaning and bag inspection

Clean canister filter frequently to keep the collector's performance at its optimum. To clean filter, turn handle a couple of rotations so dust falls into attached collection bag.

Empty or replace canister and drum collection bags when full.

ATTENTION:

During the changing or cleaning of the filters it's necessary to use a mask (mask with filtration).

7.3 Motor inspection

Make frequent inspections of motor fan, and blow out (with low pressure air hose) or vacuum any accumulation of foreign material to maintain normal motor ventilation.

7.4 Additional servicing

No lubrication is required for the dust collector.

Any other servicing should be performed by an authorized service representative.

8.0 Optional accessories

Part no.	Description
717511	Canister collection bag for JCDC (package of 5)
717521	Drum collection bag for JCDC-2 (package of 5)

Table 2

9.0 Troubleshooting the JCDC-2

9.1 Electrical and motor problems

Symptom	Possible Cause	Correction*
Motor will not start.	No incoming current.	Check connections at plug or circuit panel.
	Safety key missing from switch.	Install safety key.
	Low voltage.	Check power line for proper voltage.
	Open circuit in motor or loose connection.	Inspect all connections to switch box and motor for loose or open connections.
	Faulty start switch.	Inspect and replace switch if needed.
	Faulty start capacitor.	Replace capacitor.
	Faulty motor.	Inspect and replace motor if needed.
Motor will not start: fuse blows or circuit breaker trips.	Too many machines on shared circuit.	Connect dust collector to dedicated circuit.
	Short circuit in line cord or plug.	Inspect cord or plug for damaged insulation and shorted wires.
	Short circuit in motor or loose connections.	Inspect all connections on motor for loose or shorted terminals or worn insulation.
	Incorrect fuse or circuit breaker in power line.	Install correct fuse or circuit breaker at power source.
Motor overheats.	Motor overloaded.	Reduce load on motor.
	Air circulation through motor is restricted.	Clean motor fan with compressed air to restore normal air circulation.
Motor stalls, resulting in blown fuses or tripped circuit.	Motor overloaded.	Reduce load on motor.
	Short circuit in motor or loose connections.	Inspect connections on motor for loose or shorted terminals or worn insulation.
	Low voltage.	Correct low voltage conditions.
	Incorrect fuse or circuit breaker in power line.	Install correct fuse or circuit breaker.
Loud noise or vibrations coming from machine.	Loose fasteners.	Inspect machine and tighten all fasteners.
	Motor fan is hitting the cover.	Tighten fan or shim cover. Replace fan cover if damaged.
	Impeller is damaged.	Replace impeller.
Remote controller fails to activate machine.	Stop button still engaged.	Disengage stop button.
	Batteries drained.	Replace batteries.
	Remote needs resetting.	Follow instructions for clearing and resetting.

* **WARNING:** Some corrections may require a qualified electrician.

9.2 Performance problems

Symptom	Possible Cause	Correction
Poor performance; lack of suction.	Hose improperly secured at dust origination point.	Inspect and remedy.
	Inlet port is open.	Cap unused inlet ports.
	Collection bag is full.	Empty bag (check sight window).
	Collection drum not sealed properly.	Inspect drum for leaks, make sure lid is tight.
	Canister filter is dirty.	Clean filter.
	Wood has excess moisture content.	Use lumber with lower moisture content.
	Obstruction in dust hose or inlet port.	Inspect and clear obstruction.
	Dust hose too long.	Move collector closer to dust source.
Excess dust or large chips backing up into canister filter.	Collection drum not sealed properly.	Inspect drum for leaks, make sure lid is tight.
	Collection bag full.	Empty bag (check sight window).

DE - DEUTSCH

Bedienungsanleitung

Sehr geehrter Kunde,

Vielen Dank für Ihr Vertrauen, dass Sie durch den Kauf Ihres neuen JET-Produkts in uns gesetzt haben. Diese Anleitung wurde für den Besitzer und die Bediener des mobilen Fliehkraft-Staubabscheiders JCDC-2.0 von JET erstellt und soll die Sicherheit bei Aufstellung, Bedienung und Wartung gewährleisten. Bitte lesen Sie die in dieser Betriebsanleitung und den begleitenden Dokumenten enthaltenen Informationen vollständig und sorgfältig, um sicherzustellen, dass Sie alle Anweisungen genau verstehen. Damit Sie Ihren Staubabscheider so lange wie möglich sicher betreiben und mit höchstmöglicher Effizienz nutzen können, müssen diese Anleitung gründlich durchlesen und alle Anweisungen befolgen.

Garantie

Der Verkäufer garantiert, dass das von ihm gelieferte Produkt frei von Material- und Herstellungsfehlern ist. Diese Garantie deckt keinerlei Mängel und Fehler ab, die - direkt oder indirekt - durch falsche oder nicht sachgemäße Verwendung, Fahrlässigkeit, Unfallschäden, Reparaturen oder unzureichende Wartungs- oder Reinigungsarbeiten sowie durch die natürliche Abnutzung durch Gebrauch verursacht werden.

Garantie- und/oder Gewährleistungsansprüche müssen innerhalb von zwölf Monaten ab dem Kaufdatum (Rechnungsdatum) geltend gemacht werden. Jegliche weiteren Ansprüche sind ausgeschlossen.

Diese Garantie umfasst alle Gewährleistungspflichten des Verkäufers und tritt an die Stelle aller früheren Erklärungen und Vereinbarungen in Bezug auf Garantien.

Der Garantiezeitraum gilt für eine Verwendung von acht Stunden täglich. Wird diese tägliche Verwendungszeitspanne überschritten, ist der Garantiezeitraum entsprechend der Überzeit zu verkürzen, er darf jedoch insgesamt drei Monate nicht unterschreiten.

Für die Rückgabe nicht angenommener Waren ist die vorherige ausdrückliche Zustimmung des Verkäufers erforderlich und die Rückgabe erfolgt auf eigenes Risiko und auf eigene Kosten des Käufers.

Weitere Einzelheiten zur Garantie können den allgemeinen Geschäftsbedingungen (General Terms and Conditions (GTC)) entnommen werden. Diese können unter www.jettools.com nachgelesen und Ihnen auf Wunsch auch per Post zugesendet werden.

Der Verkäufer behält sich das Recht vor, jederzeit Änderungen am Produkt und am Zubehör vorzunehmen.

Informationen zur vorliegenden Anleitung

Das vorliegende Handbuch wird von JET bereitgestellt und enthält die Anweisungen für den sicheren Betrieb des Fliehkraft-Staubabscheiders Modell JCDC-2 von JET sowie für die an diesem Produkt auszuführenden Wartungsvorgänge. Die Anleitung enthält Anweisungen zu Montage, Sicherheitsmaßnahmen, allgemeinen Bedienschritten und Wartungsvorgängen. Die Maschine wurde so ausgelegt und konstruiert, dass es bei Beachtung der in diesem Dokument aufgeführten Anweisungen eine lange Lebensdauer bei beständiger Betriebsqualität aufweist.

Die vorliegende Anleitung erhebt nicht den Anspruch, ein erschöpfender und alle denkbaren Fälle behandelnder Leitfaden für Staubentfernungsverfahren, für die Installation von Leitungen und Leitungskanälen in Werkstätten und an anderen Aufstellorten oder für die Verwendung von optionalem Zubehör für die Staubabscheidung zu sein. Weitere Sach- und Fachkenntnisse müssen durch Anleitung seitens erfahrener Anwender bzw. mithilfe von Fachartikeln und anderem geeignetem Fachschrifttum erworben werden. Bei der Anwendung sämtlicher anerkannten Methoden und Verfahren hat stets die Sicherheit aller beteiligten Personen oberste Priorität.

Bei Fragen oder Anmerkungen zu diesem Produkt wenden Sie sich bitte an Ihren örtlichen Vertriebshändler oder an JET. Außerdem können Sie uns über unsere Website erreichen: www.jettools.com.

Bewahren Sie diese Anleitung für die weitere Verwendung gut auf. Wenn die Maschine den Besitzer wechselt, muss diese Anleitung beiliegen.



1.0 WICHTIGE SICHERHEITSHINWEISE

Bei Verwendung von Elektrogeräten sind einige grundlegende Sicherheitsvorschriften zu beachten, darunter folgende:

ALLE ANWEISUNGEN UND ANLEITUNGEN VOR DER VERWENDUNG DES STAUBABSCHIEDERS DURCHLESEN.

WARNUNG – Zur Verringerung des Risikos von Bränden, elektrischen Schlägen und Körperverletzungen Folgendes unbedingt beachten:

1. Vor Montage und Inbetriebnahme muss das Benutzerhandbuch vollständig durchgelesen und verstanden werden.
2. Die Warnhinweise an der Maschine und in der vorliegenden Anleitung müssen durchgelesen und verstanden werden.
3. Warnschilder, die unleserlich geworden oder abgefallen sind, müssen ersetzt werden.
4. Dieser Staubabscheider wurde ausschließlich für die Anwendung durch entsprechend geschultes und erfahrenes Personal konzipiert. Jemand, der mit dem korrekten Gebrauch und der sicheren Bedienung eines Staubabschiders nicht vertraut ist, darf es erst bedienen, wenn er eine geeignete Schulung erhalten und die erforderlichen Kenntnisse erworben hat.
5. Dieser Staubabscheider ist ausschließlich für den bestimmungsgemäßen Gebrauch gedacht. Bei einem Einsatz für irgendeinen anderen Zweck lehnt JET jegliche ausdrückliche oder stillschweigende Gewährleistung ab und hält sich schadlos von etwaigen Verletzungen, die aus einem solchen Missbrauch entstehen können.
6. Bei allen Arbeiten an diesem Staubabscheider bzw. bei seiner Verwendung stets eine Schutzbrille/einen Gesichtsschutz mit entsprechender Zulassung tragen. Brillen für den täglichen Gebrauch haben lediglich schlagfeste Gläser, sie gelten nicht als Schutzbrille.
7. Haare, locker sitzende Kleidung sowie Finger und alle anderen Teile des Körpers von Öffnungen und beweglichen Teilen fernhalten.
8. Bei lang andauernder Arbeit mit der Maschine einen Gehörschutz (Ohrenstöpsel oder Kapselgehörschutz) tragen.
9. Staub, der beim Sandschleifen, Sägen, Schleifen, Bohren oder anderen Bautätigkeiten entsteht, kann chemische Stoffe enthalten, die anerkanntermaßen als krebserregend gelten, Geburtsfehler verursachen oder die Fortpflanzungsfähigkeit beeinträchtigen. Hier einige Beispiele für solche chemischen Stoffe:

- Blei in Bleianstrich.
- Kristallines Siliziumdioxid aus Ziegelsteinen, Zement und andere für den Bau verwendeten Erzeugnissen.
- Arsen und Chrom aus chemisch behandeltem Bauholz.

Das Expositionsrisiko richtet sich danach, wie häufig man diese Art von Arbeiten ausführt. Um die Gefährdung durch solche chemischen Stoffe so weit wie möglich zu reduzieren, an ausreichend belüfteten Orten und mit zugelassener Schutzausrüstung wie Gesichtsschutz oder Staubmaske arbeiten, die speziell dafür ausgelegt ist, auch mikroskopisch feine Partikel zurückzuhalten.

10. Die Bedienung dieser Maschine unter Einfluss von Drogen, Alkohol oder Medikamenten ist untersagt.
11. Vor dem Anschließen der Maschine ans Stromnetz sicherstellen, dass der Schalter ausgeschaltet ist (Stellung **OFF (AUS)**). Vor dem Trennen von der Stromversorgung alle Bedienelemente ausschalten bzw. deaktivieren.
12. Auf korrekte Erdung der Maschine achten. Die Maschine darf nur mit einer korrekt geerdeten Steckdose verbunden werden. Siehe die Anweisungen zur Erdung.
13. Vor Ausführung aller erforderlichen Einstellungen oder Wartungsarbeiten die Maschine vom Stromnetz trennen.
14. Einstellwerkzeuge jeglicher Art entfernen. Der Bediener sollte es sich zur Gewohnheit machen, vor dem Einschalten der Maschine sicherzustellen, dass Einstellwerkzeuge jeglicher Art entfernt wurden.
15. Schutzabdeckungen müssen beim Betrieb der Maschine an Ort und Stelle verbleiben. Werden sie zu Wartungszwecken entfernt, ist extreme Vorsicht geboten; die Schutzabdeckungen unmittelbar nach Abschluss der Wartung wieder anbringen.
16. Die Maschine auf beschädigte Teile untersuchen. Vor dem weiteren Gebrauch der Maschine eine beschädigte Schutzabdeckung oder andere beschädigte Teile sorgfältig untersuchen und prüfen, ob sie noch einwandfrei funktionieren und ihre Funktion sicher ausüben. Die Maschine auf mangelhaft ausgerichtete oder schwergängige bewegliche Teile, auf Bruch von Teilen, fehlerhafte Montage und weitere Faktoren untersuchen, die den Betrieb beeinträchtigen könnten. Schutzabdeckungen und andere Teile, die beschädigt sind, sollten sachgemäß repariert oder ausgewechselt werden.
17. Im Bereich rund um das Gerät ausreichend Platz für Wartungsarbeiten lassen und für blendfreie Beleuchtung von oben sorgen.
18. Den Boden rund um das Gerät sauber und frei von Ausschussmaterial, Öl oder Schmierfett halten.
19. Besucher müssen vom Arbeitsbereich ferngehalten werden. **Insbesondere Kinder unbedingt fernhalten.**

20. Die Werkstatt muss kindersicher gestaltet werden, d.h. es müssen Vorhängeschlösser und Hauptschalter verwendet werden und der Startschalterschlüssel muss abgezogen werden.
21. Der Arbeit ist uneingeschränkte Aufmerksamkeit zu widmen. Umherschauen, Gespräche mit Mitarbeitern und "Unfug" sind leichtsinnig und können ernste Verletzungen zur Folge haben.
22. Der Staubabscheider ist ausschließlich für den Einsatz in Innenräumen gedacht. Zur Verringerung des Risikos von elektrischen Schlägen nicht außerhalb von geschlossenen Räumen (keine Anwendung im Freien) oder auf nassen oder feuchten Flächen einsetzen.
23. Diesen Staubabscheider ausschließlich für das Entfernen von Holzstaub verwenden. Durch Fremdpartikel wie Metallspäne, Metallstaub, Schrauben, Glassplitter, Kunststoffteile oder Steinteilchen sowie Flüssigkeiten können Funken entstehen und/oder Beschädigungen verursacht werden, wenn diese in Kontakt mit Komponenten des Staubabscheiders kommen.
24. Den Staubabscheider nicht zum Aufnehmen von brennenden oder qualmenden Gegenständen wie z.B. Zigaretten, heiße Streichhölzer oder heiße Asche benutzen.
25. Den Staubabscheider nicht zum Aufnehmen von entzündlichen oder brennbaren Flüssigkeiten wie z.B. Benzin oder in Bereichen, in denen diese vorhanden sein können, verwenden.
26. Den Staubabscheider nicht mithilfe des Netzkabels ziehen oder tragen und das Netzkabel nicht als Trage- oder Haltegriff zweckentfremden. Das Netzkabel ferner nicht beim Schließen einer Tür zwischen Türzarge und Tür sowie unter der Tür einklemmen oder an scharfen Kanten oder Ecken entlangziehen. Den Staubabscheider nicht auf das Netzkabel stellen. Das Netzkabel von heißen oder beheizten Flächen fernhalten.
27. Diesen Staubabscheider nicht verwenden, wenn das Netzkabel oder der Netzstecker beschädigt ist. Funktioniert das Gerät nicht so wie vorgesehen oder wurde es fallengelassen, beschädigt oder in Wasser eingetaucht, muss es zum zuständigen Servicecenter zurückgebracht werden.
28. Beim Trennen von der Stromversorgung nicht am Netzkabel ziehen. Zum Trennen von der Stromversorgung am Netzstecker und nicht am Netzkabel ziehen.
29. Den Staubabscheider nur mit korrekt angebrachtem Staubbeutel und/oder -filtern verwenden.
30. Die Maschine darf nicht mit feuchten oder nassen Händen bedient werden.
31. Verdecken oder verschließen Sie die Öffnungen nicht mit Gegenständen. Betreiben sie den Staubabscheider nicht mit blockierten Öffnungen; halten Sie diese frei von Staub, Flusen, Haaren und allen anderen Gegenständen, die den Luftstrom einschränken können.
32. Der Staubabscheider darf nicht ohne den am Einlass angeschlossenen Schlauch betrieben werden. Nicht verwendete Einlassöffnungen müssen mit einer Kappe verschlossen werden. Es befinden sich gefährliche bewegliche Komponenten im Inneren. Das Gerät vor dem Anschließen des Einlasses oder Anbringen des Einlassschutzes von der Stromversorgung trennen.
33. Das empfohlene Zubehör verwenden; ungeeignetes Zubehör kann zu gefährlichen Situationen und Unfällen führen.
34. Werkzeuge sind sorgfältig zu pflegen. Bei Schmierung und Teilewechsel den Anweisungen Folge leisten.
35. Die Maschine vor dem Reinigen ausschalten und von der Stromversorgung trennen. Späne und sonstige Fremdkörper mit einer Bürste oder mit Druckluft – auf keinen Fall mit bloßen Händen – entfernen.
36. Ist die Maschine an die Stromversorgung angeschlossen und eingeschaltet, darf sie nicht verlassen werden. Wenn Sie nicht verwendet wird und vor Wartungsarbeiten muss der Netzstecker gezogen werden.
37. Stellen Sie sich nicht auf die Maschine. Schwere Verletzungen können auftreten, sollte die Maschine umstürzen.
38. Dieser Staubabscheider ist für den Haushaltsgebrauch vorgesehen.

Der Bediener muss sich mit den wie folgt gekennzeichneten Sicherheitshinweisen in dieser Anleitung vertraut machen:



Bei Missachtung so gekennzeichnete Sicherheitsvorschriften besteht die Gefahr von kleineren Verletzungen und/oder möglichen Maschinenschäden.



Bei Missachtung so gekennzeichnete Sicherheitsvorschriften besteht die Gefahr ernster Verletzungen, u.U. mit tödlichem Ausgang.

DIESE ANLEITUNG AUFBEWAHREN

2.0 Sicherheitshinweise und Sicherheitsschilder

Abb. 1 Hier werden die allgemeinen Sicherheitsvorschriften für die Maschinenbedienung gezeigt

CAUTION

ALWAYS USE CAUTION WHEN OPERATING THIS MACHINE DO'S:
 ALWAYS THINK BEFORE ACTING.
 BE SURE MACHINE IS CONNECTED TO PROPER VOLTAGE AND IS ELECTRICALLY GROUNDED.
 CAREFULLY READ INSTRUCTION MANUAL BEFORE OPERATING MACHINE.
 ALWAYS UNPLUG THE MACHINE WHEN PERFORMING MAINTENANCE, ADJUSTMENTS OR CLEANING.
 MAKE SURE ALL PEOPLE ARE CLEAR FROM ANY DANGEROUS AREAS.
 CONFINE HAIR AND REMOVE ANY LOOSE ARTICLES OF CLOTHING SUCH AS NECKTIES, ETC.
 REMOVE JEWELRY SUCH AS FINGER RINGS, WATCHES, BRACELETS, ETC.
 KEEP THE FLOOR AROUND THE MACHINE CLEAN AND FREE FROM SCRAPS, SAWDUST, OIL OR GREASE TO MINIMIZE THE DANGER OF SLIPPING.

DO NOT'S:
 NEVER OPERATE MACHINE UNLESS PROPERLY TRAINED.
 NEVER OPEN OR REMOVE GUARDS UNTIL MACHINE IS STOPPED.
 NEVER PLACE HANDS IN AREA NEAR MOVING PARTS OR MOVING MATERIAL.
 DO NOT OPERATE WHILE UNDER INFLUENCE OF DRUGS, ALCOHOL, OR MEDICATION.

FAILURE TO HEED THESE WARNINGS CAN RESULT IN SERIOUS INJURY.

CT-C018

CAUTION

	Read and understand operator's manual before using this machine. Failure to follow operating instructions could result in death or serious injury.
	Loud noise hazard. Ear protection is required when operating this machine.
	Flying objects hazard. Eye protection is required when operating this machine.
	Respiratory hazard. Wear approved respirator in this area.

Abb. 2 Produkt-Markenlogo



Abb. 3 Maschinentypenschild: Zeigt die Spezifikationen und die Seriennummer der Maschine

JET			CE
Model	JCDC-2 Cyclone Dust Collector		
Power	1~230V 50Hz 10A P2=1.5kW S1		
Specification	$\dot{V} \leq 2159 \text{ m}^3/\text{h}$ $p = 1872 \text{ Pa}$ $\phi = 150 \text{ mm (2x100mm)}$		
Article No.	717520M	Weight	88 kg
Series No.		Year	
JPW (Tool) AG, CH-8117 Fällanden, Switzerland www.jettools.com Made In Taiwan			

Abb. 4 Warnt den Anwender vor gefährlicher elektrischer Spannung; darf nur von geschulten Personen geöffnet werden



Abb. 5 Warnt den Anwender vor heißen Oberflächen



Abb. 6 Zeigt den Anschlussbereich des Netzkabels und das zugehörige Schild



Abb. 7 Drehrichtung von Motor und Lüfter



Abb. 8 Warnhinweis für den Bediener- nicht auf den Sockel steigen.

WARNING

- If the operator put the foot on the base, the moving wheels can cause the operator falling down.
- Keep away from the base.
- Please do not tread on the base.

Abb. 9 Hinweisschild mit Erdungsvorschriften



3.0 Technische Daten

Modellnummer **JCDC-2.0-M**
Bestellnummer **717520M**

Motoren und Elektrik:

Motortyp gekapselter, lüftergekühlter Induktionsmotor mit Anlasskondensator
Leistung 1,5 kW
Phasen einphasig
Spannung nur 230 V
Frequenz 50 Hz
Nenn-Volllaststrom 10 A
Anlasskondensator 300MFD 125 V AC
Betriebskondensator 30µF 250 V
EIN/AUS-Schalter Tastschalter, Magnetschutz mit Überlastungsschutz
Motordrehzahl 2800 min⁻¹
Netzkabel H05VV-F, 3G 1,5 mm²
Netzstecker VDE CE-Stecker, 16A/250V Installationsleistung
Empfohlene Stromkreis- und Sicherungs-/Trennschalterbemessung ¹ 16 A
Geräuschpegel (in 3 m Abstand) ² 76 dB
Fernsteuersystem Funkfrequenz (Zulassung durch die FCC (US- Bundesbehörde für das Fernmeldewesen)); Bereich bis 15 m
RC-Sender-Batterien 2 x AAA, 1,5 V
Timereinstellung 2, 4, 6, 8 Stunden

Leistung:

Einlassdurchmesser 152 mm
Einlassadapter, Anzahl 2
Einlassadapter, Durchmesser 100 mm
Filtereffizienz 99% bei 2-Mikrometer-Partikeln

Luftdurchsatz bei installierten Filtern 2159 m³/h
Luftströmungsgeschwindigkeit 32,8 m/s
Statischer Druckverlust (WC) 102 mmH₂O
Maximaler statischer Druckverlust (WC) 191 mmH₂O

Laufрад:

Laufraddurchmesser 368 mm
Laufradtyp mit Radialrippen
Laufradmaterial Stahl

Topffilter:

Filtertyp Patrone und Polyesterspinnvlies
Topffilter-Durchmesser 370 mm
Topffilter-Länge 575 mm
Filterfläche 2,6 m²
Filtereffizienz 99% bei 2-Mikrometer-Partikeln
Reinigungssystem Drehung manueller Abstreifer

Auffangtrommel:

Fassungsvermögen 113,6 l
Durchmesser 500 mm
Höhe 565 mm
Werkstoff Stahl

¹ Gemäß den örtlich/landesweit geltenden elektrotechnischen Vorschriften und Normen. Empfehlung basiert auf Spezialkreis.

² Die angegebenen Werte sind nur die Emissionswerte und sind nicht automatisch als sichere Betriebswerte zu verstehen. Die Arbeitsbedingungen fallen je nach Arbeitsplatz unterschiedlich aus. Diese Informationen dienen daher lediglich dazu, dem Anwender eine bessere Vorstellung zum Einschätzen der Gefahren und Risiken zu vermitteln.

Auffangbeutel:
Beutelmateriale.....Polyethylen
Größe des Trommel-Auffangbeutels (Durchmesser x L) 780 x 830 mm
Größe des Topf-Auffangbeutels (Durchmesser x L) 500 x 600 mm

Hauptmaterialien:
RahmenStahlrohr
Körper..... 68 l, Stahl
Lackierung Pulverbeschichtung

Abmessungen:
Aufstellfläche/Sockelmaße (L x B) 1286 x 658 mm
Gesamtabmessungen im montierten Zustand (L x B x H) 658 x 1286 x 1835 mm
Gesamtabmessungen Versandkiste (L x B x H)..... 1145 x 675 x 1050 mm

Gewichtsangaben:
Nettogewicht..... 94 kg
Transportgewicht (ca.) 107 kg

Die technischen Daten in diesem Handbuch waren zum Zeitpunkt der Veröffentlichung aktuell. Aufgrund unserer Politik fortwährender Verbesserung behält sich JET das Recht vor, technische Daten jederzeit und ohne Vorankündigung sowie ohne jegliche damit einhergehende Verpflichtung zu ändern.

⚠️ WARNUNG

Vor Montage und Inbetriebnahme muss der Inhalt dieses Handbuchs vollständig durchgelesen und verstanden werden. Bei Nichtbeachtung kann es zu schwerwiegenden Verletzungen kommen.

4.0 Einrichtung und Montage

4.1 Auspacken und Reinigen

Alle Teile aus dem Verstandkartons entfernen und mit der in dieser Anleitung enthaltenen Liste vergleichen. Schäden oder fehlende Teile dem Zulieferer melden. Die Kiste und das Versandmaterial erst entsorgen, wenn der Staubabscheider vollständig montiert ist und ordnungsgemäß funktioniert.

4.2 Lieferumfang – JCDC-2

Hauptkiste (siehe Abbildung 1)

- 1 Hauptgehäuse – A
- 1 Trichter – B
- 1 Sockel – C
- 1 Linker Ständer – D₁
- 1 Rechter Ständer – D₂
- 1 Topffilter (mit Beutelklammer) – E
- 1 Trommel – F
- 1 Trichterklammer – G
- 1 Trommeldeckel – H
- 1 Einlassadapter – I
- 1 Schlauch – J
- 2 Schlauchschelle 12-1/2" – K
- 4 Laufrollen (für Sockel) – L
- 4 Laufrollen (für Trommel) – M
- 2 Seitliche Kappe - N
- 1 Griff – O
- 1 Topf-Auffangbeutel – P
- 1 Trommel-Auffangbeutel – Q
- 2 Schnellklemmhebel – R
- 1 Beutelrahmen – S
(besteht aus 4 langen Stützstreben, 4 kurzen Stützstreben und 2 Bügeln)
- 1 Ständerstütze – T
- 1 Schaumstoffklebeband, 490 mm – U
- 2 Schaumstoffklebeband, 970 mm – V
- 1 Schaumstoffklebeband, 1265 mm – W
- 1 Dichtung – X
- 1 Fernsteuerung mit Batterien (nicht gezeigt)

Hardwarepaket (Teile-Nr. JCDC2-HP)

(siehe Abb. 2)

- 17 Kreuzschlitzflachkopfschraube, 3/16x3/8 – HP1
- 6 Flanschkopfschraube, 5/16x1/2 – HP2
- 8 Kreuzschlitzflachkopfschraube, M5x8 – HP3
- 4 Flanschkopfschraube, 1/4x1/2 – HP4
- 1 Maulschlüssel, 10/12 mm – HP5
- 1 Sechskantschlüssel 4mm – HP6
- 1 Sechskantschlüssel 5 mm – HP7
- 12 Flanschkopfschraube, 5/16x3/4 – HP8
- 6 Mutter 5/16 – HP9
- 16 Kreuzschlitzflachkopfschraube, M3x12 – HP10

16 Sechskantmutter, M3 – HP11

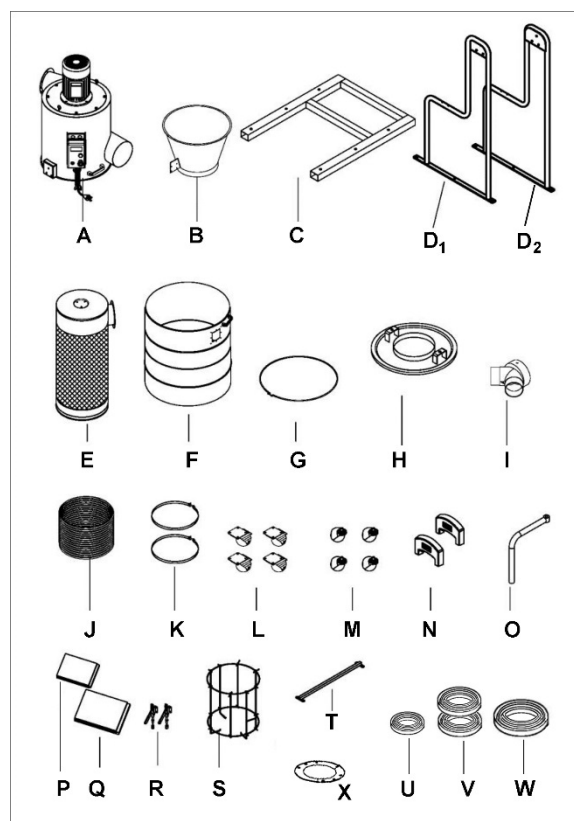


Abb. 1: Inhalt der Hauptkiste (nicht maßstabsgetreu)

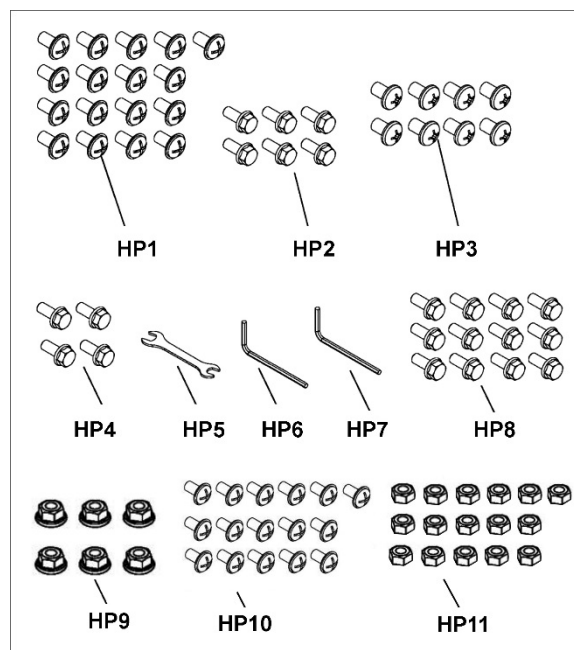


Abb. 2: Hardwarepaket (nicht maßstabsgetreu)

4.3 Für die Montage benötigte Werkzeuge

Sechskantschlüssel, 4 mm und 5 mm (mitgeliefert)

Maulschlüssel, 10/12 mm (mitgeliefert)

Kreuzschlitzschraubendreher

4.4 Montage

1. Die vier Laufrollen (L) mit Flanschkopfschrauben (HP1) am Sockel (C) anbringen. Siehe Abbildung 3.
2. Den linken und den rechten Ständer (D₁, D₂) mit den Flanschkopfschrauben (HP8) am Sockel (C) anbringen.
3. Die Ständerstütze (T) mit den Flanschkopfschrauben (HP4) an den Ständern anbringen.

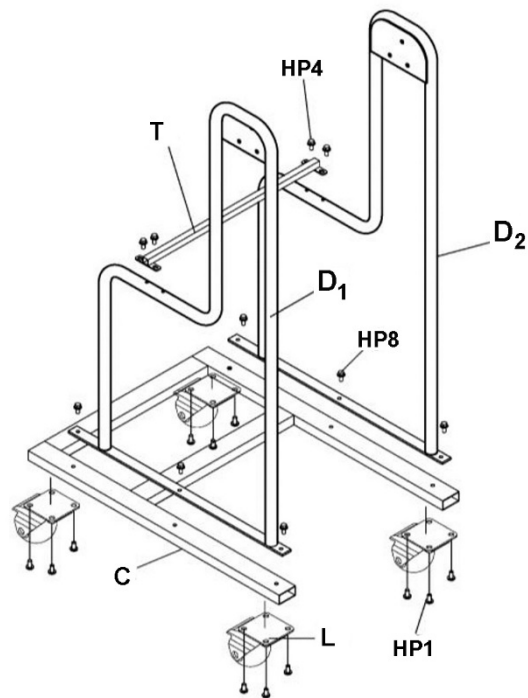


Abbildung 3

4. Die vier Laufrollen (M) in die Gewindemuttern unter der Trommel (f) einschrauben. Siehe Abbildung 4.

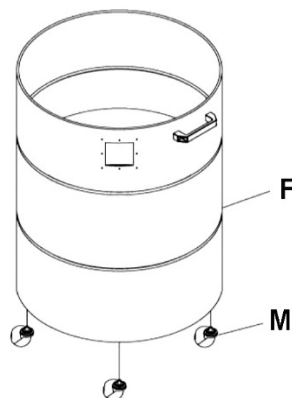


Abbildung 4

5. Das Hauptgehäuse (A) mit einer Hebevorrichtung und durch die (oben am Hauptgehäuse angebrachten) Heberinge gelegten Traggurten anheben. Ist keine Hebevorrichtung verfügbar, muss das Gehäuse von mindestens **2 Personen** angehoben werden.

VORSICHT

Das Hauptgehäuse ist sehr schwer. Von zwei Personen anheben lassen oder Hebezeug verwenden.

- Das Hauptgehäuse (A) zwischen dem linken und dem rechten Ständer (D₁, D₂) anordnen und mit sechs Flanschkopfschrauben (HP2) sicher befestigen. Siehe Abbildung 5.

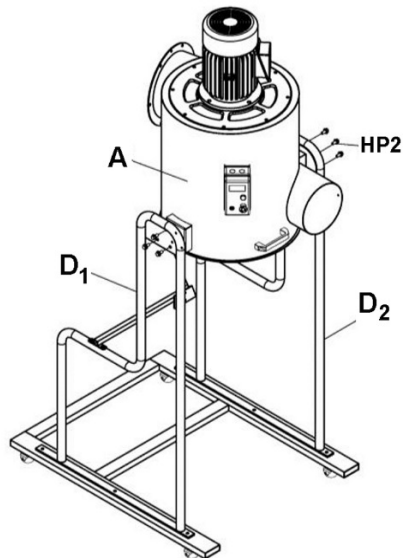


Abbildung 5

- Den Trichter (B) unter dem Hauptgehäuse anbringen. Mit der Trichterklammer (G) sichern. Siehe Abbildung 6. Die Schraube fest an der Trichterklammer anziehen.

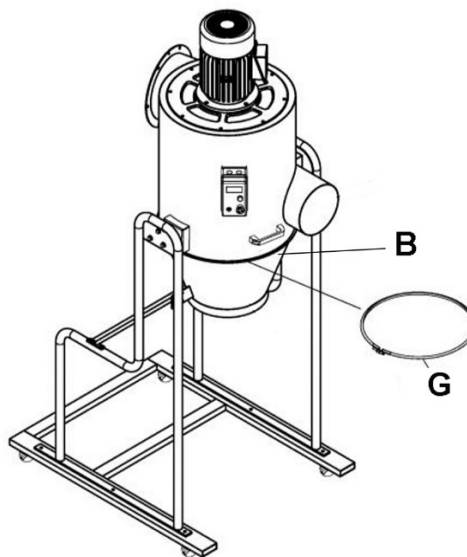


Abbildung 6

8. Die seitliche Abdeckung (N) am linken und am rechten Ständer anbringen. Siehe Abbildung 7.

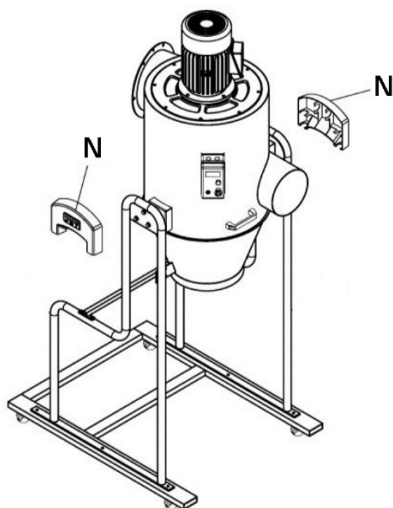


Abbildung 7

9. Die Griffereinheit (O) mit Befestigungsschraube und Mutter am Topffilter (E) anbringen. Siehe Abbildung 8.

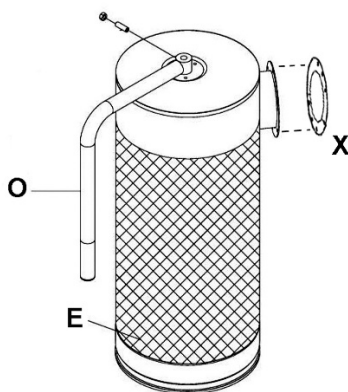


Abbildung 8

10. Die Dichtung (X) zwischen Topffilter und Gehäuse einpassen. Den Topffilter auf dem Hauptgehäuse anbringen und die Flanschkopfschrauben (HP8) und die Muttern (HP9) festziehen. Siehe Abbildung 9.

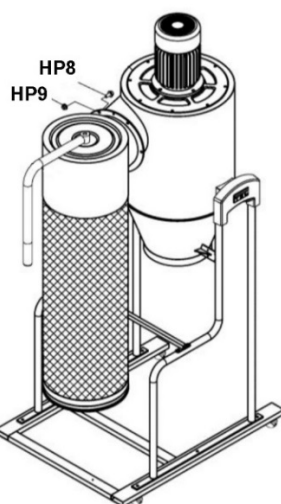


Abbildung 9

11. Schaumstoffklebeband (U) nahe an der Kante rund um die Einlassöffnung anbringen. Siehe Abbildung 10. Das Schaumstoffklebeband muss die runde Öffnung komplett umschließen.

12. Den Einlassadapter (I) am Hauptgehäuse anbringen und mit der Flanschkopfschraube (HP1) sichern.
13. Das Schaumstoffklebeband (W) unmittelbar über der unteren Kante des Topffilters anbringen. Das Schaumstoffklebeband muss den Topffilter komplett umschließen.
14. Den Auffangbeutel (P) am Boden des Topffilters anbringen und mit der Stahl-Beutelklammer (X) sichern.

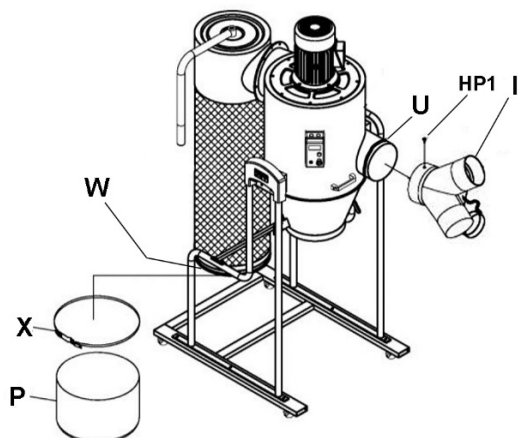


Abbildung 10

15. Das Schaumstoffklebeband (V) unmittelbar über der Unterkante des Trichters rund um den Trichter herum anbringen. Siehe Abbildung 11. Das Schaumstoffklebeband muss den Trichter komplett umschließen.
16. Das Schaumstoffklebeband (V) rund um den äußeren Ansatz der Trommelöffnung herum anbringen. Das Schaumstoffklebeband muss den Ansatz komplett umschließen.

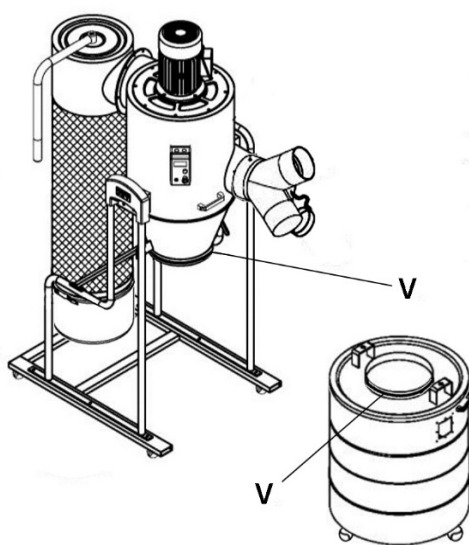


Abbildung 11

17. Den Schlauch (J) auf dem Kegel und dem Trommeldeckel anbringen und oben und unten mit zwei Schlauchschellen (K) sichern. Siehe Abbildung 12.

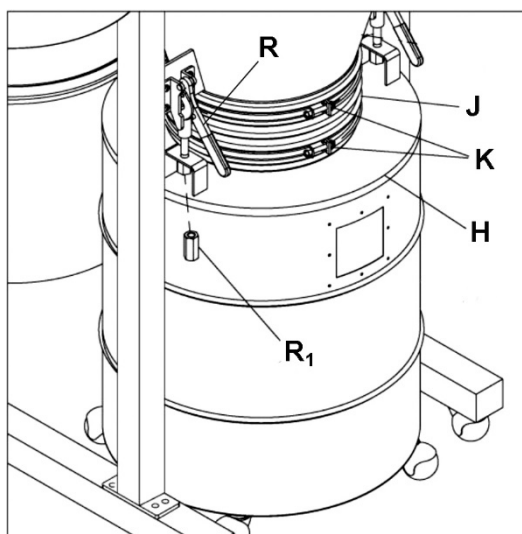


Abbildung 12

Durch den Beutelrahmen wird der Beutel gestützt und kann sich infolgedessen in der Unterdruckumgebung der Fliehkrafttrommel nicht verformen. Den Beutelrahmen wie folgt anbringen:

18. Die kurzen und die langen Rahmenstützstreben wie in Abb. 13 gezeigt abwechselnd in die Bügel einschrauben. Mit den je sechzehn Flachkopfschrauben und Sechskantmuttern (HP10, HP11) sichern. (Hinweis: Die Wölbungen an den langen Stützstreben müssen wie in der Abbildung gezeigt nach innen weisen.)

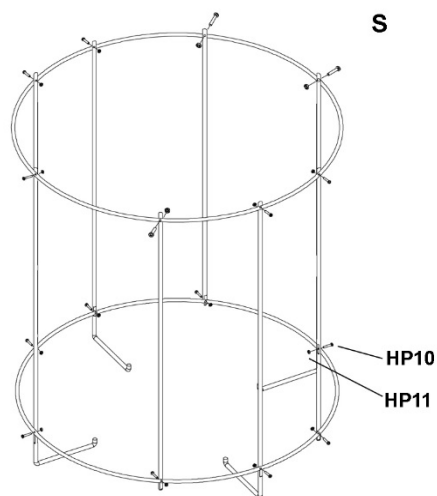


Abbildung 13

19. Den Trommel-Auffangbeutel (Q) mit seiner Oberkante um die Trommeloberkante gelegt in die Trommel einlegen. Den Beutelrahmen (S) im Beutel anbringen und ganz nach unten drücken. Siehe Abbildung 14.
20. Die beiden Schnellklemmhebel (R, Abb. 12) nach unten ziehen. Dann den Trommeldeckel (H, Abb. 12) an den Schnellklemmhebeln anbringen. Je eine lange Mutter (R₁, Abb. 12) auf die beiden Schnellklemmhebel aufschrauben.
21. Den Trommeldeckel mithilfe der Schnellklemmhebel nach oben bewegen und die Trommel unter dem Deckel ausrichten. Die Schnellklemmhebel nach unten drücken, um den Deckel an der Trommel zu sichern.

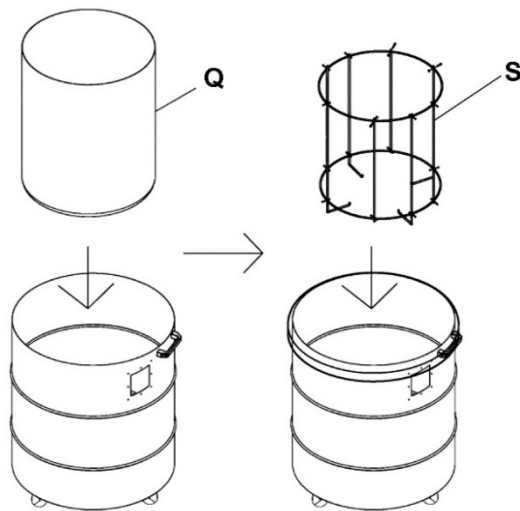


Abbildung 14

5.0 Elektrische Anschlüsse

⚠️ WARNUNG Alle elektrischen Anschlüsse dürfen nur von einem qualifizierten Elektriker gemäß allen am Einsatzort geltenden Vorschriften und Verordnungen durchgeführt werden. Bei Nichtbeachtung kann es zu schwerwiegenden Verletzungen kommen.

Netzanschluss und Verlängerungskabel müssen den geltenden Regelungen entsprechen.

Die Netzspannung muss den Anforderungen auf dem Kennschild der Maschine entsprechen. Der Staubabscheider wird mit einem Stecker geliefert, der für die Verwendung einer *geerdeten Steckdose ausgelegt ist*.

Es ist zu beachten, dass ein Stromkreis, der gleichzeitig von anderen Maschinen, Geräten, Leuchten, Heizungen usw. genutzt wird, die elektrische Last erhöht. Mit einem eigenen Spezialkreis für den Staubabscheider werden die besten Ergebnisse erzielt, da Staubabscheider im Allgemeinen dann verwendet werden, wenn andere Geräte in Betrieb sind.

Vor dem Anschluss an die Stromversorgung muss der Netzschalter *ausgeschaltet (in der Stellung OFF)* sein.

5.1 ERDUNGSANWEISUNGEN

Diese Maschine muss geerdet werden. Im Falle von Funktionsstörungen oder Ausfällen sorgt die korrekte Erdung für die Ableitung des Fehlerstroms über den Weg des geringsten Widerstands, um so das Stromschlagrisiko zu verringern. Dieses Gerät ist mit einem Netzkabel mit Schutzleiter und einem Stecker mit Schutzkontakt ausgestattet. Der Stecker muss in eine passende Steckdose gesteckt werden, welche in Übereinstimmung mit den örtlich geltenden Gesetzen und Bestimmungen montiert und geerdet ist.

⚠️ WARNUNG Bei falschem Anschluss des Schutzleiters besteht Stromschlaggefahr. Sollten Zweifel bezüglich der korrekten Erdung der Steckdose bestehen, ist Rücksprache mit einem qualifizierten Elektriker oder dem Wartungspersonal zu halten. Den am Gerät vorgesehenen Stecker nicht verändern - sollte er nicht zur Steckdose passen, von einem qualifizierten Elektriker eine geeignete Steckdose montieren lassen.

Der Leiter, dessen Isolierung grün oder gelb-grün gestreift ist, ist der Schutzleiter der Anlage. Sollte eine Reparatur oder Auswechslung des Netzkabels oder des Steckers erforderlich sein, darauf achten, dass der Schutzleiter nicht mit einem Strom führenden Anschluss verbunden wird.

Beschädigte Netzkabel sofort reparieren oder ersetzen.

Sicherstellen, dass das Gerät mit einer Steckdose verbunden ist, die die gleiche Konfiguration wie der Stecker aufweist. An diesem Gerät ist kein Netzadapter verfügbar und es darf kein Netzadapter am Gerät verwendet werden. Muss das Gerät für den Einsatz mit einem Stromkreis anderen Typs neu angeschlossen werden, muss der Neuanschluss von einem qualifizierten Servicetechniker vorgenommen werden. Es ist sicherzustellen, dass das Gerät alle örtlich geltenden Gesetzen und Bestimmungen erfüllt.

6.0 Betriebsvorgänge

6.1 Start/Stopp

Zum Starten des Staubabscheiderbetriebs den grünen Startschalter (A, Abb. 15) drücken. Zum Stoppen des Betriebs den roten Stoppschalter (B) drücken.

Der Stoppschalter (B) bleibt nach seiner Betätigung eingerastet. Zum Wiederaufnehmen des Staubabscheiderbetriebs den Startschalter im Uhrzeigersinn drehen, um die Einrastung aufzuheben.

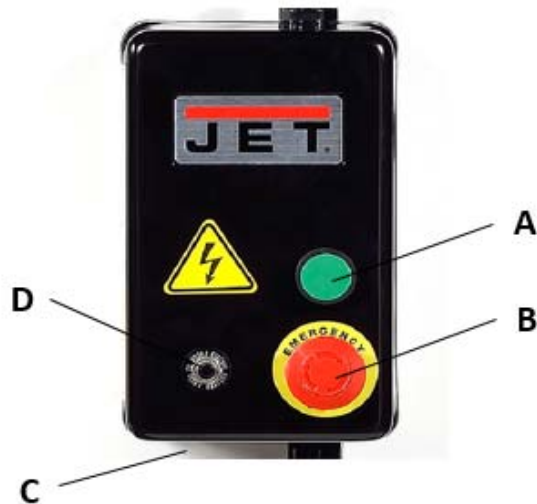


Abbildung 15

6.2 Fernsteuerung

Die Stromversorgung der RF- (Funkfrequenz-) Fernsteuerung erfolgt über 2 Batterien der Größe AA (mitgeliefert). Die Batterien müssen regelmäßig ausgetauscht werden. Die Fernsteuerung hat eine effektive Reichweite von 15 Metern.

Zum Auswählen der gewünschten Timereinstellung - 2, 4, 6, 8 Stunden - die Taste + oder - drücken. Der Staubabscheider stoppt automatisch nach Ablauf der gewählten Zeitspanne. Für Dauerbetrieb (ohne Timer) "unendlich" (∞) wählen.

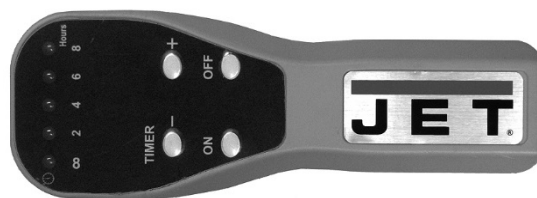


Abbildung 16

6.2.1 Rücksetzen der Fernsteuerung

Funktioniert die Fernsteuerung nicht mehr korrekt, müssen Werte gelöscht und ein Rücksetzvorgang durchgeführt werden.

Zum Löschen der Werte der Fernsteuerung die Rücksetztaste Resete (C, Abb. 16) 3 Sekunden lang drücken, bis der Empfänger 3-mal piept.

Zum Rücksetzen der Steuerung:

22. Die Rücksetztaste Resete (C, Abb. 16) 1 Sekunde lang drücken, bis der Empfänger 1-mal piept.
23. Die Taste "ON" auf der Fernsteuerung drücken und gedrückt halten, bis der Empfänger 2-mal piept. (Werden mehrere Fernsteuerungen benutzt, Schritt 2 für jede Fernsteuerung ausführen, bevor mit dem nächsten Schritt weitergemacht wird.)
24. Die Rücksetztaste Resete (C) 3 Sekunden lang drücken, bis der Empfänger 3-mal piept.

Die Fernsteuerung ist nun bereit.

6.3 Anschluss für Staubabscheiderschlauch

Zum Verbinden des Staubabscheiders mit einer bzw. mehreren anderen Maschinen muss ein Schlauch des richtigen Typs benutzt werden. *Ein Trocknerenlüftungsschlauch ist für diesen Zweck nicht akzeptabel.* Der Schlauch muss an beiden Enden mit den korrekten Schlauchschellen gesichert werden.

Wird eine Einlassöffnung nicht benutzt, muss sie mit einer Kappe verschlossen bleiben. Durch geöffnete Anschlussöffnungen wird das Maschinenleistungsvermögen verringert und es kann ein Sicherheitsrisiko entstehen.

Ihr zuständiger JET-Vertriebshändler bietet ein großes Produktsortiment von Schläuchen und Zubehör für Staubabscheider an. Sie können Ihre Installation damit genau auf Ihre Bedürfnisse zuschneiden und mit exakt angepassten Staubschutzhauben, Schläuchen, Schellen, Anschlussstücken und Absperrschiebern die maximale Leistung sicherstellen.

7.0 Wartung seitens des Anwenders



Die Stromversorgung des Staubabscheiders ausschalten und den Netzstecker ziehen, bevor Einstell- oder Wartungsarbeiten ausgeführt werden. Bei Nichtbeachtung kann es zu schwerwiegenden Verletzungen kommen.

7.1 Wärmeüberlastschutz rückstellen

Im Schaltkasten befindet sich ein Überlastungsschutz, mit dem Motorschäden vermieden werden. Das Relais öffnet den Stromkreis (Abschaltung des Staubabscheiders), wenn der Motor während längerer Betriebszeitspannen einen zu hohen Strom zieht.

Wurde der Überlastungsschutz ausgelöst, die Maschine einige Minuten abkühlen lassen. Dann die Rückstelltaste Reset (D, Abb. 15) drücken und den Betrieb des Staubabscheiders wiederaufnehmen.

7.2 Reinigung und Beutelüberprüfung

Den Topffilter häufig reinigen, um die Leistung des Staubabscheiders so hoch wie möglich zu halten. Zum Reinigen des Filters den Griff einige Umdrehungen drehen, so dass der Staub in den angebrachten Auffangbeutel fällt.

Den Topf und die Auffangbeutel ausleeren oder gegen neue austauschen, wenn sie voll sind.

ACHTUNG:

Während des Auswechsellvorgangs oder der Reinigung der Filter ist es erforderlich, eine Schutzmaske (Filtermaske) zu tragen.

7.3 Überprüfung des Motors

Den Motorlüfter häufig überprüfen und alle angesammelten Fremdpartikel ausblasen (mit einem Niederdruckluftschlauch) oder mittels Unterdruck (mit einem Staubsauger) entfernen, um die normale Motorlüftung aufrechtzuerhalten.

7.4 Zusätzliche Wartung

Der Staubabscheider muss nicht geschmiert werden.

Alle anderen Wartungsarbeiten müssen von einem autorisierten Servicetechniker durchgeführt werden.

8.0 Optionales Zubehör

Teile-Nr.	Beschreibung
717511	Topf-Auffangbeutel für JCDC (Paket mit 5 Stück)
717521	Trommel-Auffangbeutel für JCDC-2 (Paket mit 5 Stück)

Tabelle 2

9.0 Störungsbeseitigung für den JCDC-2

9.1 Elektrik- und Motorprobleme

Symptom	Mögliche Ursache	Gegenmaßnahme*
Motor startet nicht.	Kein Eingangsstrom.	Anschlüsse/Verbindungen an Stecker oder Stromkreis überprüfen.
	Sicherheitsschlüssel des Schalters fehlt.	Sicherheitsschlüssel einstecken.
	Spannung zu niedrig.	Netzleitung auf korrekte Spannung überprüfen.
	Offener Stromkreis im Motor oder gelockerte Verbindung/Anschluss.	Alle Anschlüsse an Schaltkasten und Motor auf gelockerte oder offene Verbindung überprüfen.
	Defekter Startschalter.	Schalter überprüfen und falls erforderlich austauschen.
	Defekter Anlasskondensator.	Kondensator ersetzen.
	Defekter Motor.	Motor überprüfen und falls erforderlich austauschen.
Motor startet nicht: Sicherung durchgebrannt oder Trennschalter wurde ausgelöst.	Zu viele Maschinen nutzen einen gemeinsamen Kreis.	Staubabscheider an eigenen Spezialkreis anschließen.
	Kurzschluss in Netzleitung oder -stecker.	Netzleitung oder -stecker auf schadhafte Isolierung und kurzgeschlossene Leiter überprüfen.
	Kurzschluss im Motor oder gelockerte Verbindungen/Anschlüsse.	Alle Verbindungen/Anschlüsse am Motor auf gelockerte oder kurzgeschlossene Klemmen oder abgenutzte Isolierung überprüfen.
	Falsche Sicherung oder falscher Trennschalter in Netzleitung.	Korrekte Sicherung bzw. korrekten Trennschalter an Stromquelle installieren.
Motor überhitzt.	Motor überlastet.	Motorlast verringern.
	Luftstrom durch den Motor eingeschränkt.	Motorlüfter mit Druckluft reinigen, um normale Luftzirkulation wiederherzustellen.
Motor stirbt ab, dies führt zu durchgebrannten Sicherungen oder Auslösung von Trennschaltern.	Motor überlastet.	Motorlast verringern.
	Kurzschluss im Motor oder gelockerte Verbindungen/Anschlüsse.	Verbindungen/Anschlüsse am Motor auf gelockerte oder kurzgeschlossene Klemmen oder abgenutzte Isolierung überprüfen.
	Spannung zu niedrig.	Spannungsbedingungen korrigieren.
	Falsche Sicherung oder falscher Trennschalter in Netzleitung.	Korrekte Sicherung bzw. korrekten Trennschalter installieren.
Laute Geräusche oder Vibrationen aus der Maschine.	Gelockerte Befestigungselemente.	Maschine überprüfen und alle Befestigungselemente festziehen.
	Motorlüfter schlägt gegen seine Abdeckung.	Lüfter festziehen bzw. Abstand zur Abdeckung mit Distanzstücken vergrößern. Lüfterabdeckung auswechseln, wenn beschädigt.
	Lauftrad beschädigt.	Lauftrad ersetzen.
Ausfall der Fernsteuerung, Gerät kann nicht aktiviert werden.	Stopptaste noch eingerastet.	Einrastung der Stopptaste aufheben.
	Batterien entladen.	Batterien auswechseln.
	Fernsteuerung muss rückgesetzt werden.	Den Anweisungen zum Löschen von Werten und Rücksetzen Folge leisten.

* **WARNUNG:** Einige Korrekturen und Abhilfemaßnahmen müssen u.U. von einem qualifizierten Elektriker durchzuführen.

9.2 Probleme mit der Leistung

Symptom	Mögliche Ursache	Gegenmaßnahme
Geringe Leistung; keine Ansaugung.	Schlauch nicht korrekt an der Position gesichert, an der Staub anfällt.	Überprüfen und beheben.
	Einlassöffnung ist offen.	Nicht verwendete Einlassöffnungen müssen mit einer Kappe verschlossen werden.
	Auffangbeutel ist voll.	Beutel leeren (Sichtfenster prüfen).
	Auffangtrommel nicht korrekt abgedichtet.	Trommel auf Undichtigkeit überprüfen, sicherstellen, dass der Deckel sicher befestigt ist.
	Topffilter verschmutzt.	Filter reinigen.
	Holz weist zu hohen Feuchtigkeitsgehalt auf.	Holz mit niedrigerem Feuchtigkeitsgehalt verwenden.
	Staubschlauch oder Einlassöffnung zugesetzt/blockiert.	Überprüfen und Fremdkörper entfernen.
	Staubschlauch zu lang.	Staubabscheider näher an Staubquelle positionieren.
Zu hohes Staubaufkommen oder Rückstau in den Topffilter durch große Späne.	Auffangtrommel nicht korrekt abgedichtet.	Trommel auf Undichtigkeit überprüfen, sicherstellen, dass der Deckel sicher befestigt ist.
	Auffangbeutel voll.	Beutel leeren (Sichtfenster prüfen).

FR - FRANÇAIS

Instructions de fonctionnement

Cher client,

Nous vous remercions pour la confiance que vous nous avez témoignée en achetant votre nouveau produit JET. Ce manuel a été préparé pour le propriétaire et les opérateurs du collecteur de poussière cyclonique mobile JET JCDC-2.0 afin de promouvoir la sécurité lors des procédures d'installation, de fonctionnement et de maintenance. Veuillez lire et comprendre les informations contenues dans ces instructions de fonctionnement et les documents les accompagnant. Lisez attentivement ce manuel et suivez soigneusement les instructions pour obtenir la durée de vie et l'efficacité maximales de votre collecteur de poussière et pour l'utiliser en toute sécurité.

Garantie

Le vendeur garantit que le produit fourni est exempt de défauts matériels et de défauts de fabrication. Cette garantie ne couvre pas les défauts qui sont causés, directement ou indirectement, par l'utilisation incorrecte, la négligence, les dommages accidentels, la réparation, la maintenance ou le nettoyage incorrects et l'usure normale.

La garantie et/ou les réclamations de garantie doivent être faites dans les douze mois à partir de la date d'achat (date de la facture). Toute autre réclamation doit être exclue.

Cette garantie comprend toutes les obligations de garantie du vendeur et remplace tous les accords et déclarations précédents concernant les garanties.

La période de garantie est valable pour une utilisation quotidienne de huit heures. Si elle est dépassée, la période de garantie doit être réduite proportionnellement à l'utilisation abusive mais à pas moins de trois mois.

Le retour des marchandises refusées nécessite le consentement explicite préalable du vendeur et est aux risques et aux frais de l'acheteur.

Vous pouvez trouver de plus amples détails sur la garantie dans les conditions générales (CG). Les CG peuvent être consultées sur www.jettools.com ou envoyées par poste sur demande.

Le vendeur se réserve le droit d'effectuer des changements sur le produit et les accessoires à tout moment.

Concernant ce manuel

Ce manuel est fourni par JET et traite des procédures de fonctionnement et d'entretien du modèle de collecteur de poussière cyclonique JET JCDC-2. Ce manuel contient des instructions sur l'installation, les précautions de sécurité, les procédures générales de fonctionnement et les instructions d'entretien. Votre machine a été conçue et construite pour un fonctionnement régulier et sur le long terme si elle est utilisée conformément aux instructions établies dans ce document.

Ce manuel n'a pas pour objectif d'énumérer de façon exhaustive les stratégies de retrait des poussières, l'installation du réseau de distribution d'air de l'atelier ou l'utilisation des accessoires en option de collecte des poussières. Vous pouvez acquérir des connaissances supplémentaires auprès des utilisateurs expérimentés ou d'articles de commerce. Quelque soit la méthode utilisée, la sécurité du personnel doit toujours rester une priorité.

En cas de questions ou de commentaires concernant ce produit, veuillez contacter votre fournisseur local ou JET. Vous pouvez également joindre JET sur notre site web : www.jettools.com.

Gardez ce manuel à titre de référence. Si la machine change de propriétaire, le manuel doit également lui être remis.



1.0 INSTRUCTIONS DE SÉCURITÉ IMPORTANTES

Lors de l'utilisation de l'appareil électrique, les précautions de base doivent toujours être observées, y compris celles mentionnées ci-après :

LISEZ TOUTES LES INSTRUCTIONS AVANT D'UTILISER CE COLLECTEUR DE POUSSIÈRE.

AVERTISSEMENT – Pour réduire le risque d'incendie, de choc électrique ou de blessures :

1. Lisez attentivement et comprenez l'intégralité du manuel du propriétaire avant de procéder au montage ou au fonctionnement.
2. Lisez et comprenez les avertissements placés sur la machine et dans ce manuel.
3. Remplacez les étiquettes d'avertissement si elles sont illisibles ou retirées.
4. Ce collecteur de poussière est conçu et prévu pour n'être utilisé que par un personnel expérimenté et correctement formé. Si vous n'êtes pas familiarisé avec le fonctionnement correct et sûr d'un collecteur de poussière, ne l'utilisez pas tant que vous ne disposez pas de la formation correspondante et des connaissances nécessaires.
5. N'utilisez pas ce collecteur de poussière à une fin autre que son utilisation prévue. Si elle est utilisée à d'autres fins, JET renonce à toute garantie réelle ou implicite et se dégage de toute responsabilité en cas de blessure résultant d'une utilisation inadéquate de l'outil.
6. Portez toujours des lunettes de sécurité/écrans faciaux agréés lors de l'utilisation de ce collecteur de poussière. Les lunettes ordinaires sont dotées de verres résistants aux impacts seulement; ce ne sont pas des lunettes de sécurité.
7. Maintenez vos cheveux, vêtements amples, doigts et toute autre partie du corps à l'écart des ouvertures et des pièces mobiles.
8. Portez des protecteurs auditifs (bouchons ou casques antibruit) lors de l'utilisation prolongée.
9. La poussière générée par le ponçage mécanique, le sciage, la rectification, le perçage et autres opérations de construction contient des produits chimiques reconnus causer le cancer, des malformations congénitales ou des lésions de l'appareil reproducteur. Certains exemples de ces produits chimiques sont :
 - Le plomb provenant de la peinture à base de plomb.
 - La silice cristalline provenant des briques, du ciment et d'autres produits de maçonnerie.

- L'arsenic et le chrome provenant du bois traité chimiquement.

Votre risque d'exposition varie selon la fréquence à laquelle vous réalisez ce type de travail. Pour réduire votre exposition à ces produits chimiques, travaillez dans un endroit bien ventilé et utilisez l'équipement de sécurité agréé tel que le masque facial ou le masque anti-poussière qui sont spécifiquement conçus pour filtrer les particules microscopiques.

10. Ne vous servez pas de cette machine lorsque vous êtes fatigué ou sous l'effet de la drogue, de l'alcool ou de tout médicament.
11. Assurez-vous que l'interrupteur est en position **OFF** avant de connecter la machine à l'alimentation. Désactivez toutes les commandes avant de débrancher.
12. Assurez-vous que la machine est mise à la terre correctement. Branchez uniquement à sortie mise à la terre correctement. Voir les instructions de mise à la terre.
13. Réalisez tous les réglages de la machine ou la maintenance avec la machine débranchée de la source d'alimentation.
14. Enlevez les clés et outils de réglage. Prenez l'habitude de vérifier que les clés et outils de réglage ont été enlevés de la machine avant de la mettre en marche.
15. Maintenez toujours en place les protections de sécurité lorsque la machine est utilisée. Si elles sont retirées pour la maintenance, soyez très prudent et remplacez immédiatement les protections une fois la maintenance terminée.
16. Vérifiez les pièces endommagées. Avant toute nouvelle utilisation de la machine, une protection ou une autre pièce qui est endommagée doit être vérifiée avec précaution pour s'assurer qu'elle fonctionnera correctement et remplira la fonction prévue. Vérifiez l'alignement des pièces mobiles, l'attache des pièces mobiles, la rupture des pièces, la fixation et toute autre condition qui peuvent affecter son fonctionnement. Une protection ou une autre pièce qui est endommagée doit être réparée ou remplacée correctement.
17. Prévoyez une zone de travail environnante avec un espace approprié et un éclairage vertical non éblouissant.
18. Maintenez le sol autour de la machine propre et exempt de rebut, d'huile et de graisse.
19. Gardez les visiteurs à une distance sécuritaire de la zone de travail. **Gardez les enfants éloignés.**
20. Veillez à ce que votre atelier soit sûr pour les enfants grâce à des cadenas, des interrupteurs principaux ou en retirant les clés de contact.
21. Concentrez-vous sur votre travail. Regarder autour de soi, tenir une conversation et le "chahut" sont des actes imprudents qui peuvent entraîner de graves blessures.

22. Le collecteur de poussière est prévu pour une utilisation interne. Afin de réduire les risques de choc électrique, n'utilisez pas la machine sur des surfaces humides ou à l'extérieur.
23. N'utilisez pas ce collecteur de poussière pour une utilisation autre que la poussière de bois. Les matériaux telles que les liquides, les copeaux et la poussière métalliques, les vis, le verre, le plastique ou les pierres peuvent causer des étincelles et/ou provoquer des dommages lors de l'entrée en contact avec des pièces du collecteur de poussière.
24. N'utilisez pas des éléments susceptibles de produire de la fumée ou pouvant se consumer, comme des cigarettes, des allumettes ou des cendres chaudes.
25. N'utilisez pas de liquides inflammables ou combustibles comme de l'essence ; n'utilisez pas la machine dans des zones où ces liquides sont susceptibles d'être présents.
26. Ne tirez pas ou ne transportez pas le cordon ; n'utilisez pas le cordon comme poignée, ne fermez pas une porte sur le cordon ou ne tirez pas le cordon au niveau de bords ou de coins tranchants. Ne faites pas passer le collecteur de poussière sur le cordon d'alimentation. Maintenez le cordon à l'écart des surfaces chaudes.
27. N'utilisez pas ce collecteur de poussière avec un cordon d'alimentation ou une prise présentant un endommagement. Si l'unité ne fonctionne pas telle qu'elle le devrait, est tombée, endommagée, laissée à l'extérieur ou a chuté dans l'eau, envoyez-la au service technique.
28. Ne débranchez pas en tirant sur le cordon d'alimentation. Pour débrancher, saisissez la prise et non le cordon.
29. N'utilisez pas de sac de poussière et/ou de filtres.
30. Ne manipulez pas la prise ou la machine avec des mains humides.
31. Ne placez pas d'objets dans les ouvertures. Ne faites pas fonctionner si une ouverture est bloquée ; maintenez la machine exempte de poussière, de peluches, de cheveux et autres pouvant réduire le débit de l'air.
32. Ne faites pas fonctionner sans flexible relié à l'admission. Placez un bouchon sur le port d'admission non utilisé. Il y a des pièces mobiles dangereuses à l'intérieur. Débranchez avant de retirer ou de connecter l'admission ou la protection d'admission.
33. Utilisez les accessoires recommandés; les accessoires incorrects peuvent être dangereux.
34. Entretenez bien les outils. Suivez les instructions de lubrification et de changement des accessoires.
35. Désactivez la machine et débranchez avant de nettoyer. Utilisez une brosse ou de l'air comprimé pour enlever les copeaux ou les débris ; ne réalisez pas cette opération à mains nues.
36. Ne laissez pas la machine branchée. Débranchez lorsqu'elle n'est pas utilisée et avant l'entretien.
37. Ne vous tenez pas sur la machine. Vous risquez de graves blessures si la machine se renverse.
38. Le collecteur de poussière est prévu pour une utilisation à la maison.

Familiarisez-vous avec les consignes de sécurité suivantes utilisées dans ce manuel :



PRECAUTION Cela signifie qu'il y a risque de blessures mineures et/ou de dommages éventuels de la machine si les précautions ne sont pas respectées.



AVERTISSEMENT Cela signifie qu'il y a risque de blessures graves voire mortelles si les précautions ne sont pas respectées.

GARDEZ A L'ESPRIT CES INSTRUCTIONS

2.0 Direction / Etiquette de sécurité

Figure 1 : indique les règles de sécurité générales pour faire fonctionner cette machine

CAUTION

ALWAYS USE CAUTION WHEN OPERATING THIS MACHINE DO'S:
 ALWAYS THINK BEFORE ACTING.
 BE SURE MACHINE IS CONNECTED TO PROPER VOLTAGE AND IS ELECTRICALLY GROUNDED.
 CAREFULLY READ INSTRUCTION MANUAL BEFORE OPERATING MACHINE.
 ALWAYS UNPLUG THE MACHINE WHEN PERFORMING MAINTENANCE, ADJUSTMENTS OR CLEANING.
 MAKE SURE ALL PEOPLE ARE CLEAR FROM ANY DANGEROUS AREAS.
 CONFINE HAIR AND REMOVE ANY LOOSE ARTICLES OF CLOTHING SUCH AS NECKTIES, ETC.
 REMOVE JEWELRY SUCH AS FINGER RINGS, WATCHES, BRACELETS, ETC.
 KEEP THE FLOOR AROUND THE MACHINE CLEAN AND FREE FROM SCRAPS, SAWDUST, OIL OR GREASE TO MINIMIZE THE DANGER OF SLIPPING.

DO NOT'S:
 NEVER OPERATE MACHINE UNLESS PROPERLY TRAINED.
 NEVER OPEN OR REMOVE GUARDS UNTIL MACHINE IS STOPPED.
 NEVER PLACE HANDS IN AREA NEAR MOVING PARTS OR MOVING MATERIAL.
 DO NOT OPERATE WHILE UNDER INFLUENCE OF DRUGS, ALCOHOL, OR MEDICATION.

FAILURE TO HEED THESE WARNINGS CAN RESULT IN SERIOUS INJURY.

CT-C018

CAUTION

	Read and understand operator's manual before using this machine. Failure to follow operating instructions could result in death or serious injury.
	Loud noise hazard. Ear protection is required when operating this machine.
	Flying objects hazard. Eye protection is required when operating this machine.
	Respiratory hazard. Wear approved respirator in this area.

Figure 2 : logo de la marque du produit



Figure 3 : étiquette ID de la machine : indique les spécifications de la machine et le numéro de série

JET			
Model	JCDC-2 Cyclone Dust Collector	CE	
Power	1~230V 50Hz 10A P2=1.5kW S1		
Specification	$\dot{V} \leq 2159 \text{ m}^3/\text{h}$ $p = 1872 \text{ Pa}$ $\phi = 150 \text{ mm (2x100mm)}$		
Article No.	717520M	Weight	88 kg
Series No.		Year	
JPW (Tool) AG, CH-8117 Fällanden, Switzerland www.jettools.com Made In Taiwan			

Figure 4 : avertit l'utilisateur de la dangerosité de la tension et ne devant être mise en marche que par un personnel formé.



Figure 5 : avertit l'utilisateur de la dangerosité de la surface chaude



Figure 6 : indique l'emplacement du câble d'alimentation électrique principal et de l'étiquette elle-même.

230V

Figure 7 : direction de rotation du ventilateur et moteur



Figure 8 : notification à l'opérateur de ne pas placer ses pieds sur la base.

WARNING

1. If the operator put the foot on the base, the moving wheels can cause the operator falling down.
2. Keep away from the base.
3. Please do not tread on the base.




Figure 9 : notification de mise à la terre



3.0 Spécifications

Numéro de modèle **JCDC-2.0-M**
Numéro de stock 717520M

Moteur et électrique:

Type de moteur ventilateur totalement fermé, induction, condensateur de démarrage
Puissance 1,5kW
Phase simple
Tension 230V uniquement
Cycle 50Hz
Intensité FLA à pleine charge 10 A
Condensateur de démarrage 300MFD 125VCA
Condensateur de fonctionnement 30µF 250V
Interrupteur d'activation/de désactivation.. bouton-poussoir, contacteur magnétique avec protection contre la surcharge
Vitesse du moteur 2800 TR/MIN
Cordon électrique H05VV-F, 3G 1,5mm²
Fiche de puissance Fiche VDE CE 16A/250V installée
Fusible et circuit recommandés/calibre du disjoncteur¹ 16 A
Emission sonore (à 9,84 ft./3m) ² 76 dB
Système de commande à distance Fréquence radio (FCC approuvé); plage s'étendant jusqu'à 15 m
Batterie de l'émetteur RC 2 x AAA, 1,5V
Réglage de minuterie 2, 4, 6, 8 heures

Performance :

Diamètre entrée 152 mm
Adaptateurs d'admission, nombre 2
Adaptateurs d'admission, diamètre 100 mm
Efficacité du filtre 99% de 2 particules micron

Débit d'air avec filtres installés 2159 m³/h
Vitesse de l'air 32.8 m/s
Perte de pression statique (WC) 102 mmH₂O
Perte de pression statique maximale (WC) 191 mmH₂O

Roue de ventilateur :

Diamètre de la roue de ventilateur 368 mm
Type de roue de ventilateur fin et radial
Matière de la roue de ventilateur Acier

Filtre de la boîte :

Type de filtre cartouche et en polyester non-tissé
Diamètre du filtre de la boîte 370 mm
Longueur du filtre de la boîte 575 mm
Zone de surface du filtre 2,6 m²
Efficacité du filtre 99% de 2 particules micron
Système de nettoyage rotation du racloir manuel

Cylindre de collecte :

Capacité 113,6 l
Diamètre 500 mm
Hauteur 565 mm
Matériau Acier

¹ Soumis aux codes de l'électricité nationaux et locaux. Recommandation basée sur le circuit concerné.

² Les valeurs spécifiées sont des niveaux d'émission et ne doivent pas nécessairement être vues comme des niveaux de fonctionnement de sécurité. Comme les conditions de l'environnement de travail varient, cette information permet à l'utilisateur d'avoir une meilleure estimation des risques et des dangers que cela implique.

Sacs de collecte :

Matière du sacpolyéthylène
Dimension du sac de collecte de cylindre (Dia. x L) 780 x 830 mm
Dimension du sac de collecte de boîte (Dia. x L) 500 x 600 mm

Matériaux principaux :

Cadre tuyau en acier
Corps.....Acier 68 l
Finition de peinture revêtement poudré

Dimensions:

Dimensions base/empreinte (L x l) 1286 x 658 mm
Dimensions hors tout, monté (L x l x H) 658 x 1286 x 1835 mm
Dimensions hors tout, carton d'expédition (L x l x H)..... 1145 x 675 x 1050 mm

Poids:

Poids net 94 kg
Poids d'expédition approximatif..... 107 kg

Les spécifications de ce manuel entrent en vigueur au moment de la publication, mais en raison de notre politique d'amélioration continue, JET se réserve le droit de modifier les spécifications à tout moment et sans préavis, sans aucune obligation de sa part.



Lisez et comprenez l'intégralité de ce manuel avant de procéder au montage ou au fonctionnement. Le non-respect de cette obligation peut causer de graves blessures.

4.0 Réglage et montage

4.1 Déballage et nettoyage

Retirez tous les contenus du carton d'expédition et comparez avec la liste de contenus dans ce manuel. En cas d'endommagement dans l'expédition ou de pièces manquantes, contactez votre distributeur. Ne jetez pas le carton ou le matériel d'emballage tant que le collecteur n'est pas monté et ne fonctionne pas correctement.

4.2 Contenu d'expédition – JCDC-2

Carton principal (voir Figure 1)

- 1 Boîtier principal – A
- 1 Entonnoir – B
- 1 Base – C
- 1 Montant gauche – D₁
- 1 Montant droit – D₂
- 1 Filtre de la boîte (avec serrage du sac) – E
- 1 Cylindre – F
- 1 Serrage de l'entonnoir – G
- 1 Lèvre du cylindre – H
- 1 Adaptateur d'admission – I
- 1 Flexible – J
- 2 Collier de serrage pour tuyaux 12-1/2in. – K
- 4 Roulettes (pour base) – L
- 4 Roulettes (pour cylindre) – M
- 2 Bouchon latéral – N
- 1 Poignée – O
- 1 Sac de collecte de la boîte – P
- 1 Sac de collecte du cylindre – Q
- 2 Levier rapide – R
- 1 Cadre du sac – S
(comprend 4 longs supports, 4 supports courts et 2 arceaux)
- 1 Support de montant – T
- 1 Ruban en mousse, 490 mm – U
- 2 Ruban en mousse, 970 mm – V
- 1 Ruban en mousse, 1265 mm – W
- 1 Joint – X
- 1 Retirez le régulateur avec les batteries (*non indiqué*)

Emballage du matériel (p/n JCDC2-HP)

(Voir la Figure 2)

- 17 Vis à tête cylindrique Phillips, 3/16x3/8 – HP1
- 6 Ecrou à bride, 5/16x1/2 – HP2
- 8 Vis à tête cylindrique Phillips, M5x8 – HP3
- 4 Ecrou à bride, 1/4x1/2 – HP4
- 1 Clé plate, 10/12mm – HP5
- 1 Clé hexagonale 4mm – HP6
- 1 Clé hexagonale 5mm – HP7
- 12 Ecrou à bride, 5/16x3/4 – HP8
- 6 Ecrou, 5/16 – HP9

16 Vis à tête cylindrique Phillips, M3x12 – HP10

16 Ecrou hexagonal M3 – HP11

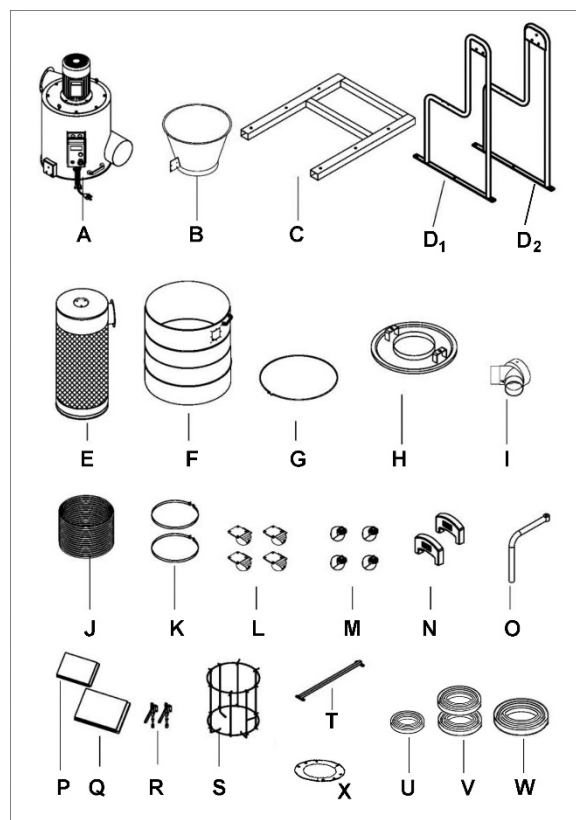


Figure 1 : contenus du carton principal (pas à l'échelle)

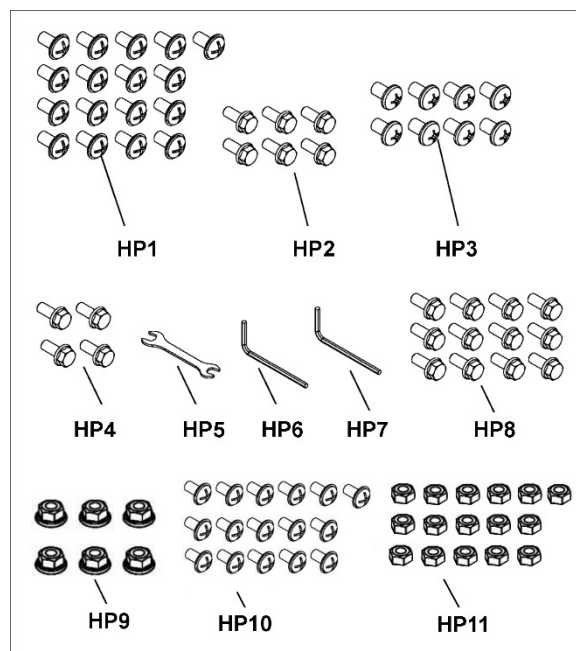


Figure 2 : Emballage du matériel (pas à l'échelle)

4.3 Outils nécessaires au montage

Clés hexagonales, 4mm et 5mm (fournies)

Clé plate, 10/12mm (fournie)

Tournevis cruciforme (Phillips)

4.4 Montage

1. Installez quatre roulettes (L) sur la base (C) avec les vis à tête cylindrique (HP1). Voir la Figure 3.
2. Installez les montants gauche et droit (D₁, D₂) sur la base (C) avec les écrous à bride (HP8).
3. Installez le support de montant (T) sur les montants avec les écrous à bride (HP4).

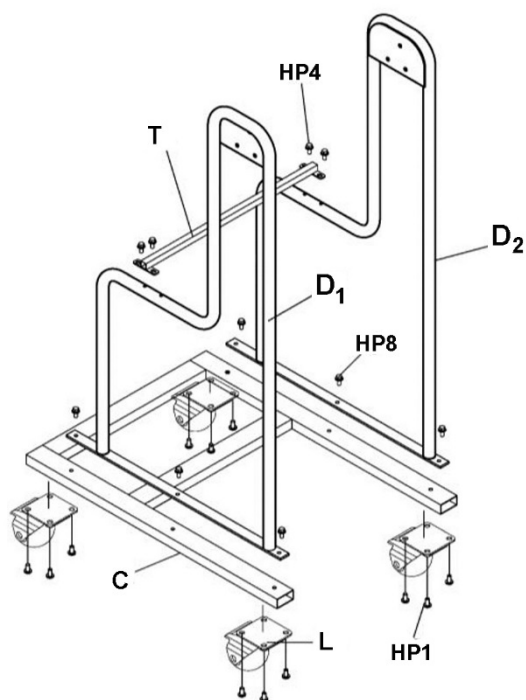


Figure 3

4. Installez quatre roulettes (M) dans les écrous filetés sous le cylindre (F). Voir la Figure 4.

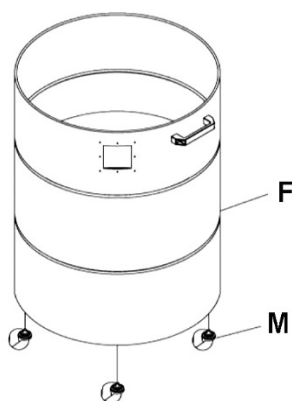


Figure 4

5. Levez le boîtier principal (A) à l'aide d'un palan avec des courroies via les anneaux de levage au-dessus du boîtier principal. Si le palan n'est pas disponible, **2 personnes** au moins doivent lever le boîtier.



PRECAUTION

Le boîtier principal est lourd. Soyez deux personnes pour lever ou utilisez un palan.

6. Positionnez le boîtier principal (A) entre les montants gauche et droit (D₁, D₂) et sécurisez avec les écrous à bride (HP2). Voir la Figure 5.

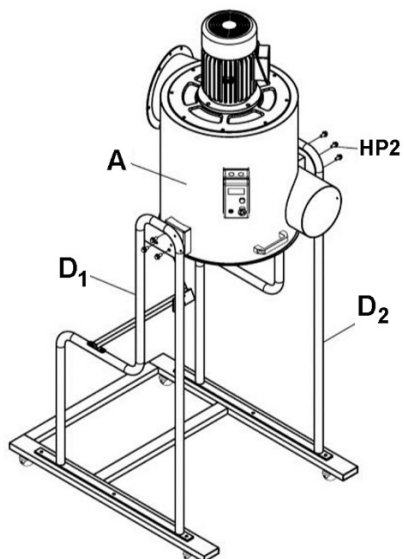


Figure 5

7. Installez l'entonnoir (B) sous le boîtier principal. Sécurisez avec le serrage de l'entonnoir (G). Voir la Figure 6. Serrez la vis sur le serrage de l'entonnoir.

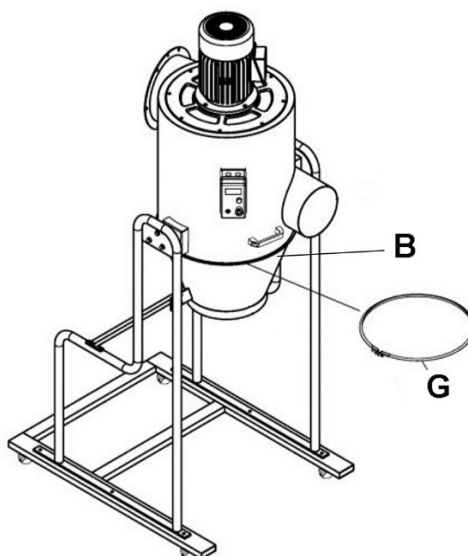


Figure 6

8. Installez le couvercle latéral (N) sur les montants gauche et droit. Voir la Figure 7.

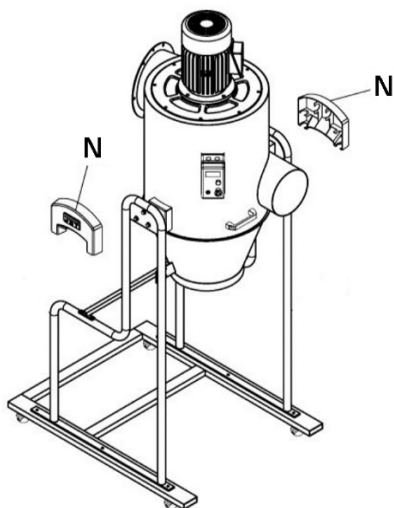


Figure 7

9. Installez la poignée (O) sur le filtre de la boîte (E) à l'aide de l'écrou et de la vis de réglage. Voir la Figure 8.

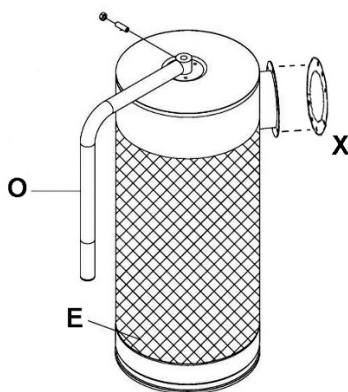


Figure 8

10. Placez le joint (X) entre le filtre de la boîte et le boîtier principal. Installez le filtre de la boîte dans le boîtier principal et serrez avec des vis à bride (HP8) et des écrous (HP9). Voir la Figure 9.

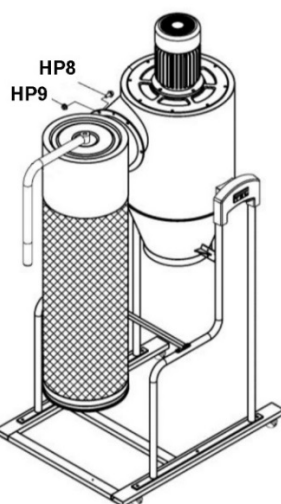


Figure 9

11. Appliquez le ruban en mousse (U) autour du port d'admission près du bord. Voir la Figure 10. Le ruban en mousse doit entourer complètement le port.

12. Installez l'adaptateur d'admission (I) sur le boîtier principal et sécurisez avec la vis à tête cylindrique (HP1).
13. Appliquez le ruban en mousse (W) juste au-dessus de la lèvre inférieure du filtre de la boîte. Le ruban en mousse doit entourer complètement le filtre de la boîte.
14. Installez le sac de collecte (P) sur le bas du filtre de la boîte et sécurisez avec le serrage en acier du bac (X).

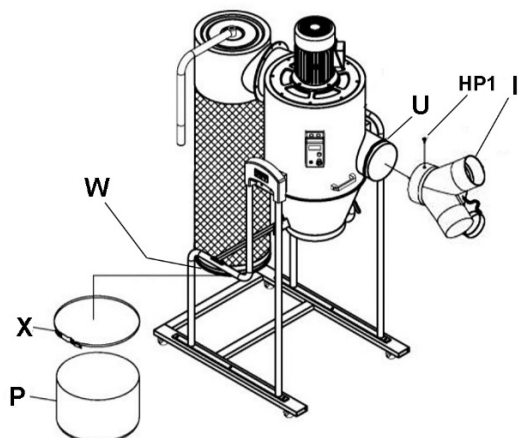


Figure 10

15. Appliquez le ruban en mousse (V) autour de l'entonnoir juste au-dessus de son coin inférieur. Voir la Figure 11. Le ruban en mousse doit entourer complètement l'entonnoir.
16. Appliquez le ruban en mousse (V) autour de la lèvre extérieure de l'ouverture du cylindre. La mousse doit entourer complètement la lèvre.

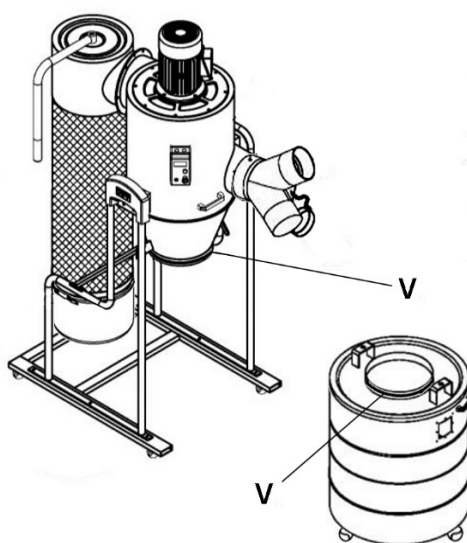


Figure 11

17. Installez le flexible (J) sur le cône et la lèvre du cylindre, puis sécurisez avec deux serrages du flexible (K), en haut et en bas. Voir la Figure 12.

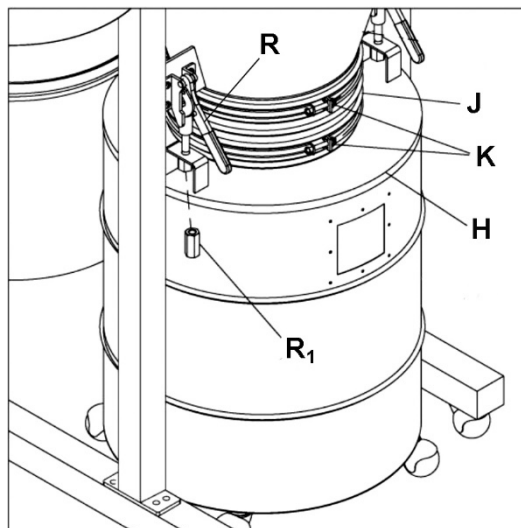


Figure 12

Le cadre du sac maintient la forme du sac dans l'environnement de pression négative du cylindre cyclonique. Montez le cadre du sac comme suit :

18. Vissez les supports longs et courts dans les arceaux en alternant, comme indiqué dans la Figure 13. Sécurisez avec seize écrous hexagonaux et vis à tête cylindrique (HP10,HP11). (Remarque : les torsions sur les longs supports pointent vers l'intérieur comme indiqué.)

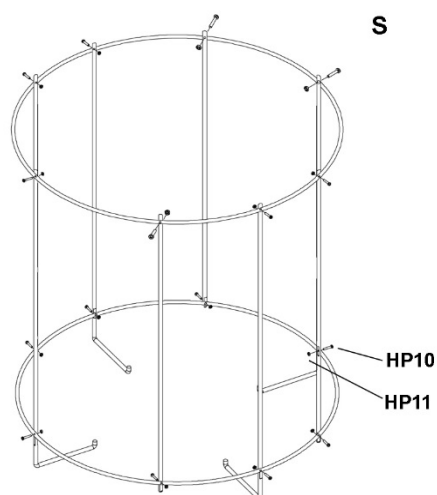


Figure 13

19. Placez le sac de collecte du tambour (Q) dans le cylindre avec son bord supérieur enroulé autour du bord supérieur du cylindre. Placez le cadre du sac (S) dans le sac et appuyez en permanence vers le bas. Voir la Figure 14.
20. Tirez vers le bas les leviers rapides (R, Figure 12), puis montez la lèvre du cylindre (H, Figure 12) sur les leviers rapides. Serrez l'écrou long (R₁, Figure 12) sur chaque levier rapide.
21. Levez la lèvre du cylindre à l'aide des leviers rapides et positionnez le cylindre sous la lèvre. Abaissez les leviers rapides pour sécuriser la lèvre sur le cylindre.

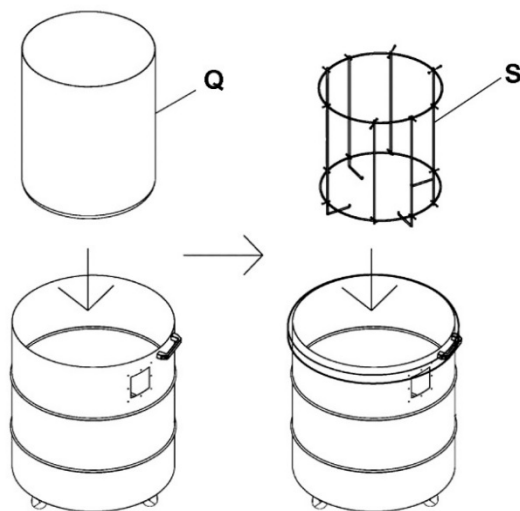


Figure 14

5.0 Connexions électriques



AVERTISSEMENT Toutes les connexions électriques doivent être effectués par un électricien qualifié conformément aux ordonnances et codes locaux. Le non-respect de cette obligation peut causer de graves blessures.

La connexion principale et les rallonges électrique utilisées doivent être conformes aux réglementations applicables.

La tension du secteur électrique doit être conforme aux informations apposées sur la plaque d'immatriculation de la machine. Le collecteur de poussière est livré avec une prise conçue pour être branchée à une *prise de terre*.

Gardez à l'esprit qu'un circuit utilisé en même temps par d'autres machines, outils, éclairages, chauffages, etc. s'ajoute à la charge électrique. Un circuit dédié au collecteur de poussière offre de meilleurs résultats car les collecteurs de poussière sont généralement utilisés pendant que d'autres outils fonctionnent.

Avant de raccorder à la source d'alimentation, veillez à ce que le commutateur soit en position *off*.

5.1 INSTRUCTIONS DE MISE A LA TERRE

Cet appareil doit être mis à la terre. En cas de dysfonctionnement ou de panne, la mise à la terre permet une trajectoire de dernière résistance au courant électrique afin de réduire le risque de choc électrique. Cet appareil est équipé d'un cordon ayant un câble d'alimentation et une fiche de mise à la terre. Cette fiche doit être insérée sur une embase adéquate correctement installée et reliée à la terre en respectant tous les codes et ordonnances locaux.



AVERTISSEMENT Une connexion inappropriée du câble d'alimentation peut causer un risque de chocs électriques. **Contrôlez avec un électricien qualifié ou une personne chargée de l'entretien en cas de doutes concernant la mise à la terre correcte de la prise. Ne modifiez pas la fiche fournie avec cet appareil – si elle ne rentre pas dans la prise, faites installer une prise correcte par un technicien qualifié.**

Le fil vert éventuellement rayé de jaune avec isolation est le conducteur de masse. Si le cordon doit être réparé ou remplacé, ne connectez pas le fil de terre de l'outil sur une borne sous tension.

Réparez ou remplacez immédiatement un cordon usé ou endommagé.

Assurez-vous que l'appareil est branché à la prise présentant une configuration identique à la fiche. Aucun adaptateur n'est disponible ou ne peut être utilisé avec cet appareil. Si l'appareil doit être de nouveau connecté pour être utilisé sur un type de circuit électrique différent, le nouveau branchement doit être réalisé par un personnel d'entretien qualifié ; l'appareil doit être conforme aux ordonnances et aux codes locaux après le nouveau branchement.

6.0 Fonctionnements

6.1 Démarrage/Arrêt

Appuyez sur le bouton de démarrage vert (A, Figure 15) pour démarrer le collecteur de poussière. Appuyez sur le bouton d'arrêt rouge (B) pour arrêter.

Le bouton d'arrêt (B) reste enclenché après avoir été actionné. Pour redémarrer le collecteur de poussière, tournez le bouton d'arrêt dans le sens horaire pour le désenclencher.

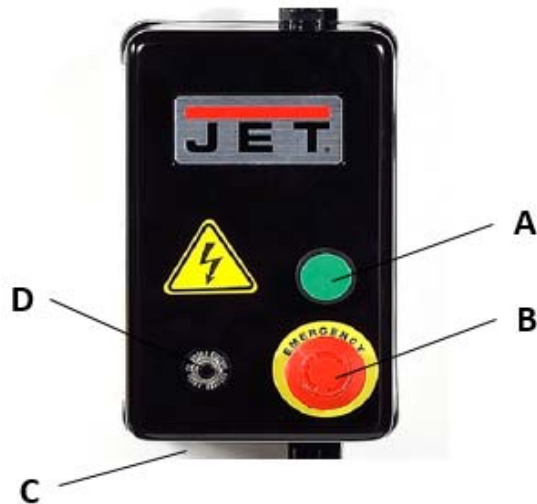


Figure 15

6.2 Régulateur à distance

Le régulateur à distance de fréquence radio (RF) fonctionne avec 2 batteries AA (comprises). Les batteries doivent être remplacées périodiquement. Le régulateur à distance présente une plage effective pouvant aller jusqu'à 50 pieds (15 mètres).

Appuyez sur le bouton + ou – pour sélectionner le réglage de minuterie souhaité : 2, 4, 6 ou 8 heures. Le collecteur de poussière s'arrête automatiquement à la fin du temps sélectionné. Pour un fonctionnement en continu (sans minuterie), sélectionnez la position infinie (∞).

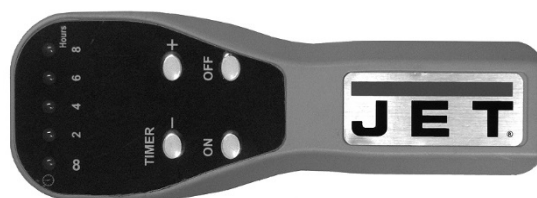


Figure 16

6.2.1 Réinitialisation du régulateur à distance

Si le régulateur à distance commence à fonctionner de manière incorrecte, il doit être supprimé et réinitialisé.

Pour supprimer le régulateur à distance, appuyez et maintenez enfoncé le bouton de réinitialisation (C, Figure 16) pendant 3 secondes jusqu'à ce que le récepteur "bipe" 3 fois.

Pour réinitialiser le régulateur :

22. Appuyez sur le bouton de réinitialisation (C, Figure 16) pendant 1 seconde jusqu'à ce que le récepteur "bipe" une fois.
23. Appuyez et maintenez enfoncé le bouton "ON" sur le régulateur à distance jusqu'à ce que le récepteur "bipe" deux fois. (si vous utilisez plusieurs régulateurs, réalisez l'étape 2 sur chaque régulateur avant la réalisation du processus.)
24. Appuyez et maintenez enfoncé pendant 3 secondes le bouton de réinitialisation (C) jusqu'à ce que le récepteur "bipe" 3 fois.

Le régulateur à distance est maintenant prêt.

6.3 Branchement du flexible de poussière

Utilisez le bon type de flexible pour brancher le collecteur de poussière à/aux machine(s) devant fonctionner. *Le flexible de ventilation du dessicateur ne peut pas être accepté à cet effet.* Sécurisez le flexible au niveau des deux extrémités avec des serrages corrects.

Si un port d'admission n'est pas utilisé, il doit rester fermé par un bouchon. Un port ouvert réduit l'efficacité de la machine et peut être dangereux.

Contactez votre distributeur JET le plus proche concernant la gamme de flexibles de collecteur de poussière et les accessoires. Vous pouvez customiser votre installation et obtenir une performance maximale avec des flexibles de poussière, des flexibles, des serrages, des raccords et des vannes à air.

7.0 Entretien par l'utilisateur



Désactivez le collecteur de poussière et retirez la fiche de la source d'alimentation avant de réaliser des réglages ou la maintenance. Le non-respect de cette obligation peut causer de graves blessures.

7.1 Réinitialisation de surcharge thermique

Le boîtier de l'interrupteur contient une protection contre la surcharge afin d'éviter tout endommagement sur le moteur. Le relais ouvre le circuit (coupe le collecteur de poussière) si le moteur présente un courant excessif pendant les périodes prolongées de fonctionnement.

Si la surcharge est déclenchée, laissez la machine refroidir pendant plusieurs minutes. Puis, appuyez sur le bouton de réinitialisation (D, Figure 15) et redémarrez le collecteur de poussière.

7.2 Nettoyage et contrôle du sac

Nettoyez fréquemment le filtre de la boîte pour garder la performance du collecteur à son plus haut niveau. Pour nettoyer le filtre, tournez la poignée de quelques rotations afin que la poussière tombe dans le sac de collecte fixé.

Videz ou remplacez la boîte et les sacs de collecte du cylindre lorsqu'ils sont pleins.

ATTENTION :

Pendant le changement ou le nettoyage des filtres, il est nécessaire de porter un masque (masque avec filtration).

7.3 Inspection du moteur

Contrôlez fréquemment le ventilateur du moteur et évacuez (avec un flexible d'air basse pression) ou supprimez toute accumulation de corps étrangers afin de maintenir une ventilation normale du moteur.

7.4 Entretien supplémentaire

Aucune lubrification n'est nécessaire sur le collecteur de poussière.

Des entretiens supplémentaires doivent être effectués par un représentant de service autorisé.

8.0 Accessoires en option

N° de pièce	Description
717511	Sac de collecte de la boîte pour JCDC (pack de 5)
717521	Sac de collecte du cylindre pour JCDC-2 (pack de 5)

Tableau 2

9.0 Dépannage de JCDC-2

9.1 Problèmes électriques et du moteur

Symptôme	Cause possible	Correction *
Le moteur ne démarre pas.	Pas de courant entrant.	Vérifiez les raccordements à la prise ou au panneau de circuit.
	Clé de sécurité manquante dans l'interrupteur.	Installez la clé de sécurité.
	Basse tension.	Vérifiez si tension correcte de la ligne de courant.
	Circuit ouvert dans le moteur ou connexion lâche.	Vérifiez tous les raccordements sur le boîtier de l'interrupteur et le moteur si ouverts ou lâches.
	Interrupteur de démarrage défectueux.	Contrôlez et remplacez l'interrupteur si nécessaire.
	Condensateur de démarrage défectueux.	Remplacez le condensateur.
	Moteur défectueux.	Contrôlez et remplacez le moteur si nécessaire.
Le moteur ne démarre pas : fusibles grillés ou disjoncteurs déclenchés.	Trop de machines sur le circuit commun.	Branchez le collecteur de poussière sur le circuit approprié.
	Court-circuit du cordon de raccordement ou de la prise.	Vérifiez si isolation endommagée ou fils court-circuités du cordon de raccordement ou de la prise.
	Court-circuit dans le moteur ou connexions lâches.	Vérifiez si bornes court-circuitées ou lâches ou isolation usée de toutes les connexions du moteur.
	Fusible incorrect ou disjoncteur de la ligne de courant.	Installez le fusible correct ou le disjoncteur sur la source d'alimentation.
Surchauffes du moteur.	Moteur surchargé.	Réduisez la charge sur le moteur.
	La circulation de l'air à travers le moteur est restreinte.	Nettoyez le ventilateur du moteur avec de l'air comprimé pour rétablir une circulation d'air normale.
Le moteur cale, entraînant des fusibles grillés ou déclenchement du disjoncteur.	Moteur surchargé.	Réduisez la charge sur le moteur.
	Court-circuit dans le moteur ou connexions lâches.	Vérifiez si bornes court-circuitées ou lâches ou isolation usée des connexions du moteur.
	Basse tension.	Corrigez l'état basse tension.
	Fusible incorrect ou disjoncteur de la ligne de courant.	Installez le fusible correct ou le disjoncteur.
Bruit fort ou vibrations venant de la machine.	Desserrez les fixations.	Inspectez la machine et serrez toutes les fixations.
	Le ventilateur du moteur cogne le couvercle.	Serrez le ventilateur ou calez le couvercle du ventilateur. Remplacez le couvercle du ventilateur s'il est endommagé.
	La roue de ventilateur est endommagée.	Remplacez la roue de ventilateur.
Le régulateur à distance ne parvient pas à activer la machine.	Bouton d'arrêt toujours enclenché.	Désenclenchez le bouton d'arrêt.
	Batteries mortes.	Remplacez les batteries.
	Le système à distance doit être réinitialisé.	Suivez les instructions de nettoyage et de réinitialisation.

* **AVERTISSEMENT** : Certaines corrections doivent être effectuées par un électricien qualifié.

9.2 Problèmes de performance

Symptôme	Cause possible	Correction
Mauvaise performance ; manque d'aspiration.	Flexible sécurisé de manière incorrecte sur le point d'origine de poussière.	Contrôlez et réparez.
	Le port d'admission est ouvert.	Bouchez les ports d'admission non utilisés.
	Le sac de collecte est plein.	Sac vide (contrôlez le verre-regard).
	Le cylindre de collecte n'est pas étanche.	Contrôlez la présence de fuites sur le cylindre, assurez-vous que la lèvre est bien serrée.
	Le filtre de la boîte est sale.	Nettoyez le filtre.
	Le bois est trop humide.	Utilisez du bois avec présentant une faible humidité.
	Obstruction dans le flexible de poussière ou dans le port d'admission.	Contrôlez et supprimez l'obstruction.
	Flexible de poussière trop long.	Placez le collecteur plus proche de la source de poussière.
Poussière excessive ou copeaux de grande taille refoulés dans le filtre de la boîte.	Le cylindre de collecte n'est pas étanche.	Contrôlez la présence de fuites sur le cylindre, assurez-vous que la lèvre est bien serrée.
	Le sac de collecte est plein.	Sac vide (contrôlez le verre-regard).

JET

JCDC-2.0

Cyclone Dust Collector

JCDC-2.0-M.....717520M1~230V, 50Hz

PARTS LIST

JPW (Tool) AG

Tämperlistr. 5

CH-8117 Fällanden

Switzerland

Phone +41 44 806 47 48

Fax +41 44 806 47 58

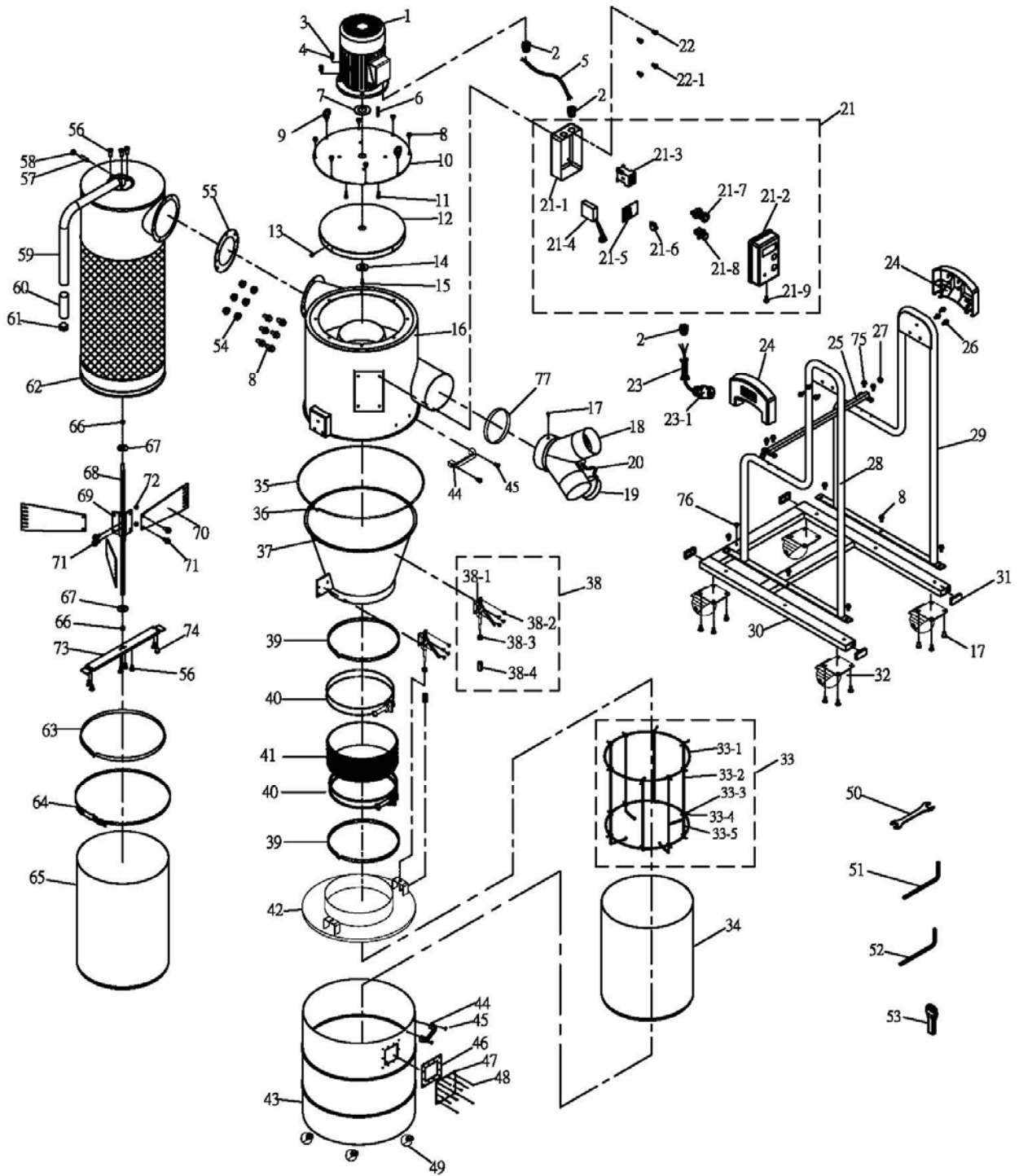
www.jettools.com



P-717520M

2016-04

Parts Breakdown for JCDC-2.0-M Cyclone Dust Collector



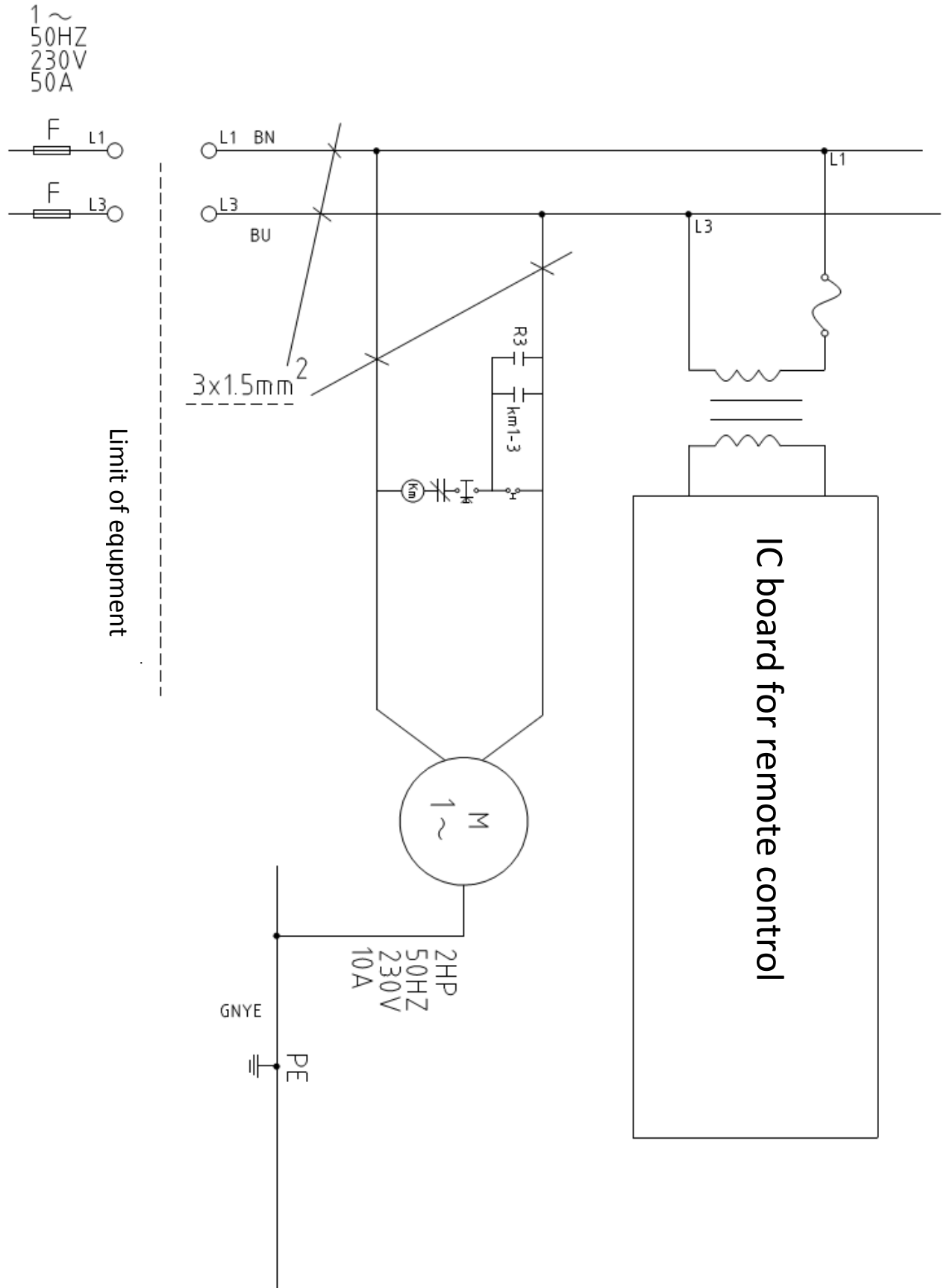
Parts List for JCDC-2.0-M Cyclone Dust Collector

Index No.	Part No.	Description	Size	Qty.
1	502-B867	Motor	2HP/230V/50HZ/1PH	1
	JCDC1.5-01SC	Start Capacitor (not shown)	300MFD, 125VAC	1
	JCDC1.5-01RC	Running Capacitor (not shown)	30uF, 250V	1
	JCDC1.5-01FC	Fan Cover (not shown)		1
	JCDC1.5-01CF	Cooling Fan (not shown)		1
	501-H035	Centrifugal Switch (not shown)		1
2	JCDC1.5-02	Strain Relief	M20-13B/PG20	3
3	TS-0570021	Hex Nut	5/16"	4
4	TS-0720081	Lock Washer	5/16"	4
5	503-J264	Motor Cord	1.5mm ² x3Cx75CM	1
6	JCDC2-06	Key	7 x 7 x 25	1
7	JCDC2-07	Rubber Seal		1
8	JCDC1.5-07	Hex Flange Head Screw	5/16" x 3/4"	18
9	JCDC1.5-08	Eye Bolt	5/16"	2
10	JCDC2-10	Motor Plate		1
11	TS-0051051	Hex Cap Screw	5/16" x 1"	4
12	JCDC2-12	Impeller	Dia. 14-1/2"	1
13	TS-0271071	Socket Set Screw	3/8" x 3/4"	1
14	JCDC1.5-14	Lock Washer	Exclusive	1
15	JCDC1.5-15	Socket Head Cap Screw (Left Thread)	M6 x 20	1
16	JCDC2-16	Intake Barrel		1
17	5513357	Mach Screw, Pan HD, Phillips	3/16" x 3/8"	17
18A	JCDC1.5-18A	Inlet Adaptor Assembly (includes #18 thru 20)	6" x (2) 4"	1
18	JCDC1.5-18	Inlet Adaptor	6" x (2) 4"	1
19	JCDC1.5-20	Inlet Adaptor Cap	4"	1
20	JCDC1.5-19	Chain		1
21	501-F101-2	Switch Assembly (Index # 21-1 thru # 21-9)		1
21-1	JCDC2-21-1	Switch Box – Lower Cover		1
21-2	JCDC2-21-2	Switch Box – Upper Cover		1
21-3	JCDC2-21-3	Contactors	MA-09	1
21-4	JCDC2-21-4	Remote Control Receiver		1
21-5	JCDC2-21-5	Circuit Board		1
21-6	501-J005	Overload Protector	28A	1
21-7	JCDC2-21-7	Push Button Switch - Start	Green	1
21-8	JCDC2-21-8	Emergency Stop Switch		1
21-9	5711571	Mach Screw, Pan HD, Phillips	3/16" x 1/4"	1
22	JCDC2-22	Mach Screw, Pan HD, Phillips w/ Flange	3/16" x 3/8"	2
22-1	5513357	Mach Screw, Pan HD, Phillips	3/16" x 3/8"	2
23	503-K021	Power Cord with 1PH/230V CE Plug	1.5mm ² x3Cx3.2M	1
	503-J221	Power Cord (UK)	1.5mm ² x3Cx3.6M	1
23-1	501-D007	1PH/230V CE Plug (UK)	P-331	1
24	JCDC2-24	Side Cap		2
25	JCDC2-25	Connecting Square Tube	19 x 19 x 620	1
26	JCDC1.5-25	Hex Flange Head Screw	5/16" x 1/2"	6
27	JCDC1.5-24	Tube Plug	19 x 19	2
28	JCDC2-28	Stand-Left		1
29	JCDC2-29	Stand-Right		1
30	JCDC2-30	Base		1
31	JCDC2-31	Tube Plug	60 x 30	4
32	JCDC2-32	Swivel Caster	Dia. 2"	4
33	JCDC2-33	Bag Frame Kit (#33-1 thru 33-5)		1
33-1	JCDC2-33-1	Hoop	6T	2
33-2	JCDC2-33-2	Bag Frame Support - Long	7mm	4

33-3.....	TS-1540011	Hex Nut.....	M3.....	16
33-4.....	JWL1221VS-314	Mach Screw, Pan HD, Phillips	M3 x 12	16
33-5.....	JCDC2-33-5.....	Bag Frame Support -Short	7mm.....	4
34.....	717521.....	Drum Collection Bag for JCDC-2 (pkg. of 5).....	780 x 830 /mm.....	1
35.....	JCDC2-35.....	Clamp.....	Dia. 500 mm.....	1
36.....	TS-0050111.....	Hex Cap Screw	1/4" x 2-1/2"	1
37.....	JCDC2-37.....	Cyclone Funnel	1
38.....	JCDC1.5-36.....	Quick Lever Assembly (# 38-1 thru 38-4)	2
38-1.....	JCDC1.5-36-1.....	Quick Lever	2
38-2.....	5712561.....	Mach Screw, Pan HD, Phillips	M5 x 8	8
38-3.....	TS-0570031.....	Hex Nut.....	3/8"	2
38-4.....	JCDC1.5-36-4.....	Long Nut	3/8"	2
39.....	JCDC2-39.....	Foam Tape	L970 x W30 x T1 /mm	2
40.....	JCDC2-40.....	Hose Clamp.....	12-1/2"	2
41.....	JCDC2-41.....	Hose.....	Dia.12"	1
42.....	JCDC2-42.....	Collection Drum Lid	1
43A.....	JCDC2-43A	Collection Drum Assembly (#43 thru 49)	1
43.....	JCDC2-43.....	Collection Drum.....	1
44.....	JCDC1.5-42.....	Handle	2
45.....	TS-081F031	Mach Screw, Flat HD, Phillips	1/4" x 1/2"	4
46.....	JCDC1.5-44.....	Rubber Pad	1
47.....	JCDC1.5-45.....	PC Plate.....	1
48.....	JCDC1.5-46.....	Rivet.....	4-2	12
49.....	JCDC2-49.....	Swivel Caster	Dia. 2"	4
50.....	SWSS3-201.....	Open End Wrench	10-12 mm.....	1
51.....	TS-152705	Hex Wrench	4mm.....	1
52.....	TS-152706.....	Hex Wrench	5mm.....	1
53.....	JCDC2-53.....	Remote Control Transmitter	RF	1
.....	Battery (not shown).....	AAA, 1.5V	2
54.....	TS-0561021.....	Hex Nut.....	5/16"	6
55.....	JCDC2-55.....	Gasket.....	1
56.....	JCDC1.5-52.....	Socket HD Button Screw.....	M5 x 6	6
57.....	TS-0270071.....	Socket Set Screw	5/16" x 3/4"	1
58.....	TS-0561021.....	Hex Nut.....	5/16"	1
59A.....	JCDC1.5-55A	Handle Assembly (#59,60,61).....	1
59.....	JCDC1.5-55.....	Handle	1
60.....	JCDC1.5-56.....	Grip.....	1
61.....	JCDC1.5-57.....	Pipe Plug	1
62.....	JCDC2-62.....	Canister Filter	1
63.....	JCDC1.5-59.....	Foam Tape	L1265 x W20 x T3 /mm	1
64.....	JCDC1.5-60.....	Clamp.....	1
65.....	717511.....	Canister Collection Bag for JCDC (pkg. of 5).....	600 x 500 /mm.....	1
66.....	JCDC1.5-62.....	Oil-Retaining Bearing.....	2
67.....	JCDC1.5-63.....	Bearing Cover	2
68.....	JCDC2-68.....	Shaft	1
69.....	JCDC1.5-65.....	Fixing Block.....	1
70A.....	JCDC2-70A	Scraper Assembly (#56,66 thru 74)	1
70.....	JCDC1.5-66.....	Scraper.....	3
71.....	TS-1481031.....	Hex Cap Screw	M5 x 12	8
72.....	TS-1540031.....	Hex Nut.....	M5.....	6
73.....	JCDC1.5-69.....	Support Plate.....	1
74.....	5712561.....	Mach Screw, Pan HD, Phillips	M5 x 8	4
75.....	JCDC1.5-71.....	Hex Flange Head Screw	1/4" x 1/2"	4
76.....	5711571.....	Mach Screw, Pan HD, Phillips	3/16" x 1/4"	1
77.....	JCDC1.5-74.....	Foam Tape	L490 x W30 x T1 /mm	1
.....	JCDC2-HP	Hardware Package (see sect. 5.2 for contents)

Circuit Diagram for JCDC-2.0-M Cyclone Dust Collector

JCDC-2.0-M717520M1~230V, 50Hz





JCDC-2.0

Fliehkraft-Staubabscheider

JCDC-2.0-M717520M1 Phase, 230 V, 50 Hz

TEILELISTE

JPW (Tool) AG

Tämperlistr. 5

CH-8117 Fällanden

Schweiz

Telefon +41 44 806 47 48

Fax +41 44 806 47 58

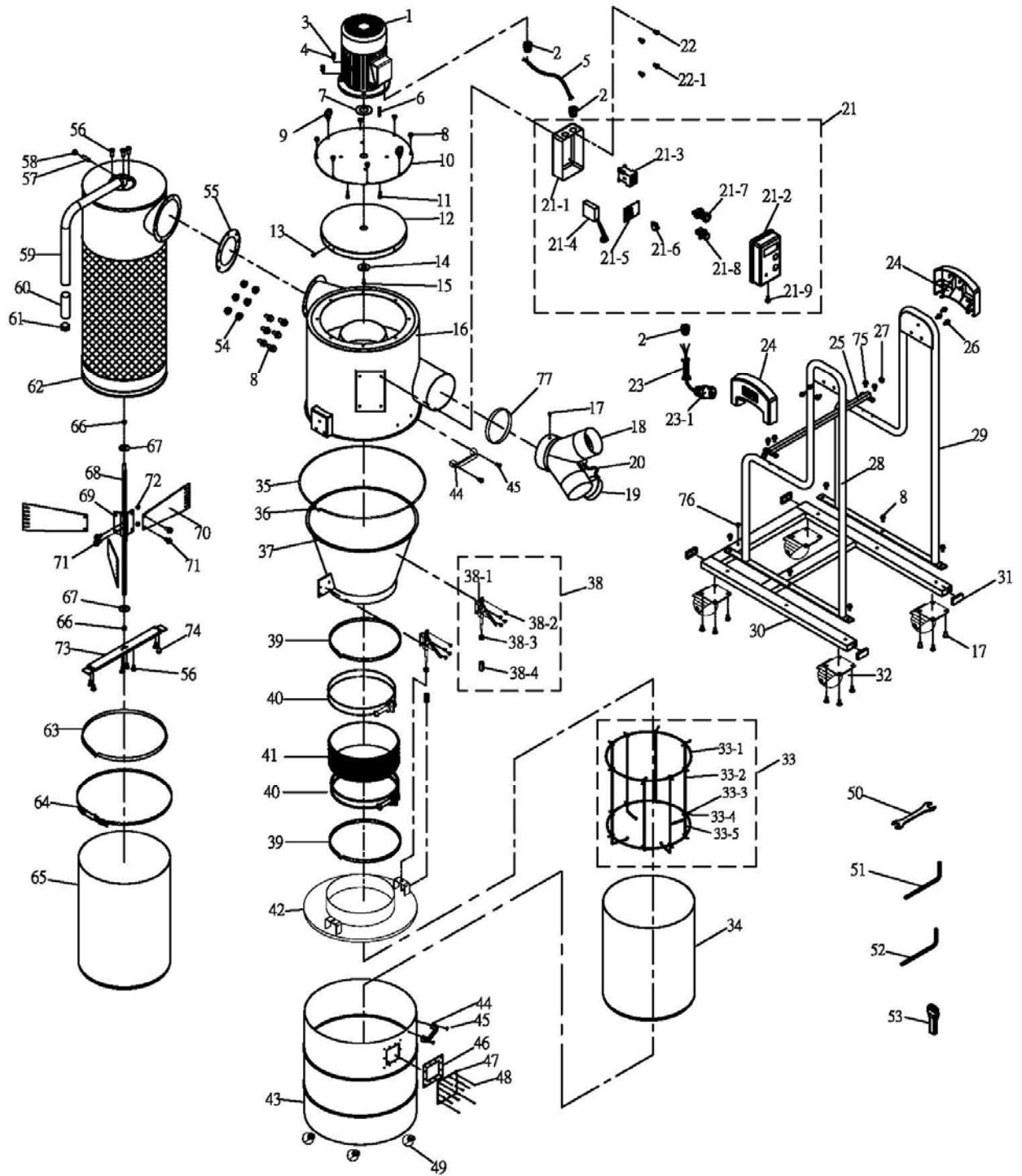
www.jettools.com



P-717520M

2016-04

Aufschlüsselung der Teile für den Fliehkraft-Staubabscheider JCDC-2.0-M



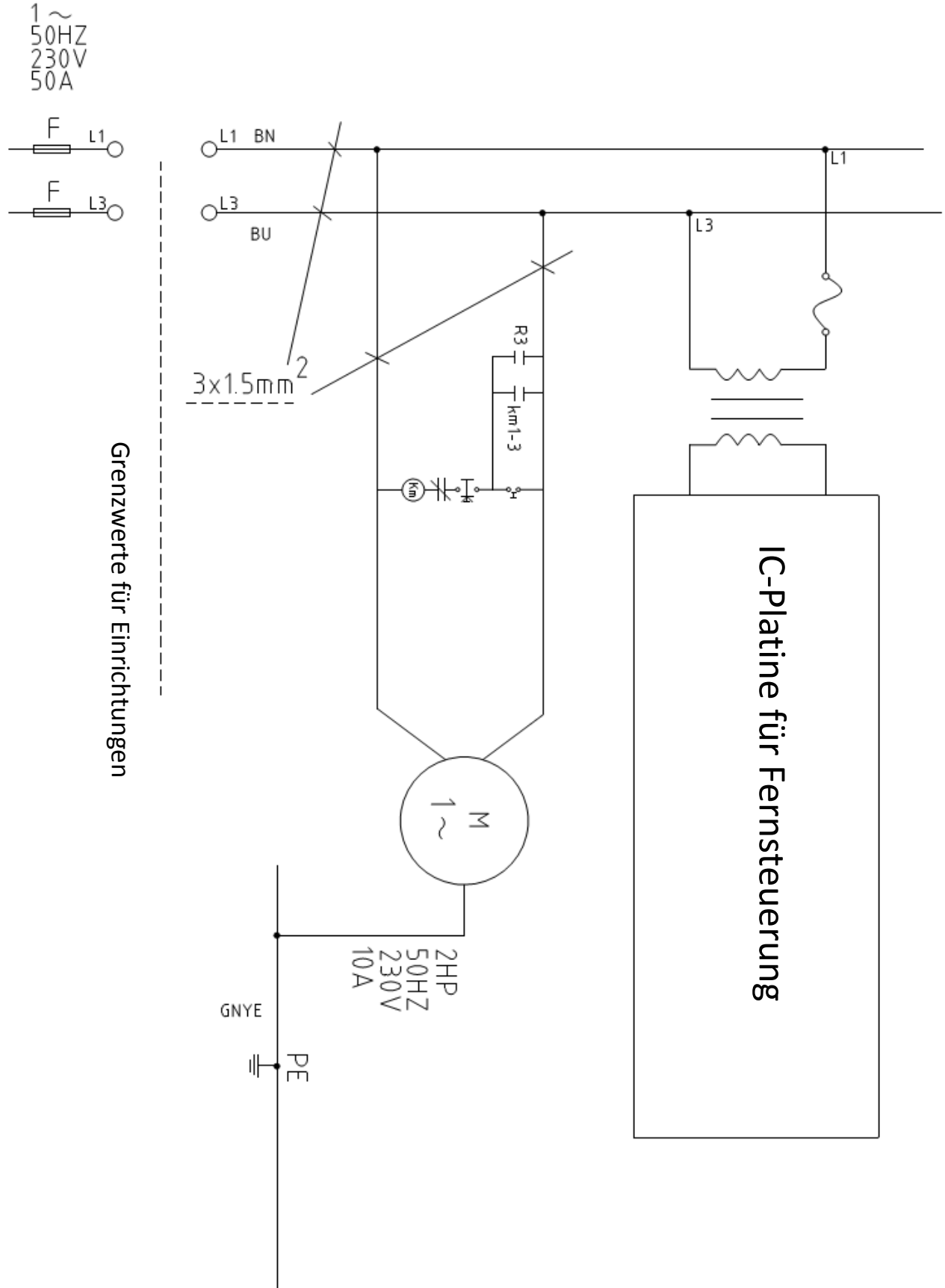
Teileliste für den Fliehkraft-Staubabscheider JCDC-2.0-M

Index-Nr.	Teile-Nr.	Beschreibung	Größe	Anz.
1	502-B867	Motor	2HP/230V/50HZ/1PH	1
	JCDC1.5-01SC	Anlasskondensator (nicht gezeigt)	300MFD, 125VAC	1
	JCDC1.5-01RC	Betriebskondensator (nicht gezeigt)	30uF, 250V	1
	JCDC1.5-01FC	Lüfterabdeckung (nicht gezeigt)		1
	JCDC1.5-01CF	Kühllüfter (nicht gezeigt)		1
	501-H035	Zentrifugalschalter (nicht gezeigt)		1
2	JCDC1.5-02	Zugentlastung	M20-13B/PG20	3
3	TS-0570021	Sechskantmutter	5/16"	4
4	TS-0720081	Sicherungsscheibe	5/16"	4
5	503-J264	Motorstromkabel	1,5 mm ² x 3 Leiter x 75CM	1
6	JCDC2-06	Keil	7 x 7 x 25	1
7	JCDC2-07	Gummidichtung		1
8	JCDC1.5-07	Sechskantflanschschraube	5/16" x 3/4"	18
9	JCDC1.5-08	Augenschraube	5/16"	2
10	JCDC2-10	Motorplatte		1
11	TS-0051051	Sechskantschraube	5/16" x 1"	4
12	JCDC2-12	Laufрад	Dia. 14-1/2"	1
13	TS-0271071	Innensechskantschraube	3/8" x 3/4"	1
14	JCDC1.5-14	Sicherungsscheibe	Exklusiv	1
15	JCDC1.5-15	Innensechskantschraube (Linksgewinde)	M6 x 20	1
16	JCDC2-16	Auffangtrommel		1
17	5513357	Maschinenschraube, Flachkopf, Kreuzschlitz	3/16" x 3/8"	17
18A	JCDC1.5-18A	Einlassadapterbaugruppe (enthält Nr. 18 - 20)	6" x (2) 4"	1
18	JCDC1.5-18	Einlassadapter	6" x (2) 4"	1
19	JCDC1.5-20	Einlassadapterkappe	4"	1
20	JCDC1.5-19	Kette		1
21	501-F101-2	Schalterbaugruppe (Index-Nr. 21-1 bis 21-9)		1
21-1	JCDC2-21-1	Schaltkasten - untere Abdeckung		1
21-2	JCDC2-21-2	Schaltkasten - obere Abdeckung		1
21-3	JCDC2-21-3	Schütz	MA-09	1
21-4	JCDC2-21-4	Empfangsteil der Fernsteuerung		1
21-5	JCDC2-21-5	Platine		1
21-6	501-J005	Überlastungsschutz	28A	1
21-7	JCDC2-21-7	Drucktastenschalter - für Start	Grün	1
21-8	JCDC2-21-8	Not-Aus-Taster		1
21-9	5711571	Maschinenschraube, Flachkopf, Kreuzschlitz	3/16" x 1/4"	1
22	JCDC2-22	Maschinenschraube, Flachkopf, Kreuzschlitz, mit Flansch	3/16" x 3/8"	2
22-1	5513357	Maschinenschraube, Flachkopf, Kreuzschlitz	3/16" x 3/8"	2
23	503-K021	Netzkabel mit 1PH/230V CE-Stecker	1,5 mm ² x 3 Leiter x 3,2 m	1
	503-J221	Netzkabel (GB)	1.5mm ² x3Cx3.6M	1
23-1	501-D007	Netzkabel mit 1PH/230V CE-Stecker (UK)	P-331	1
24	JCDC2-24	Seitliche Kappe		2
25	JCDC2-25	Anschlussrohr (Vierkant)	19 x 19 x 620	1
26	JCDC1.5-25	Sechskantflanschschraube	5/16" x 1/2"	6
27	JCDC1.5-24	Rohrstopfen	19 x 19	2
28	JCDC2-28	Linker Ständer		1
29	JCDC2-29	Rechter Ständer		1
30	JCDC2-30	Sockel		1
31	JCDC2-31	Rohrstopfen	60 x 30	4
32	JCDC2-32	Schwenklaufrolle	Durchmesser 2"	4
33	JCDC2-33	Beutelrahmensatz (Nr. 33-1 bis 33-5)		1
33-1	JCDC2-33-1	Bügel	6T	2
33-2	JCDC2-33-2	Lange Beutelrahmenstützstrebe	7mm	4

33-3.....	TS-1540011	Sechskantmutter	M3.....	16
33-4.....	JWL1221VS-314	Maschinenschraube, Flachkopf, Kreuzschlitz	M3 x 12	16
33-5.....	JCDC2-33-5.....	Kurze Beutelrahmenstützstrebe.....	7mm.....	4
34.....	717521.....	Trommel-Auffangbeutel für JCDC-2 (Paket mit 5 Stück)	780 x 830 /mm.....	1
35.....	JCDC2-35.....	Klammer	Durchmesser 500 mm.....	1
36.....	TS-0050111.....	Sechskantschraube.....	1/4" x 2-1/2"	1
37.....	JCDC2-37.....	Zyklontrichter		1
38.....	JCDC1.5-36.....	Schnellklemmhebelbaugruppe (Nr. 38-1 bis 38-4).....		2
38-1.....	JCDC1.5-36-1.....	Quick Lever		2
38-2.....	5712561.....	Maschinenschraube, Flachkopf, Kreuzschlitz	M5 x 8	8
38-3.....	TS-0570031.....	Sechskantmutter	3/8"	2
38-4.....	JCDC1.5-36-4.....	Lange Mutter	3/8"	2
39.....	JCDC2-39.....	Schaumstoffklebeband.....	L970 x W30 x T1 /mm	2
40.....	JCDC2-40.....	Schlauchselle	12-1/2"	2
41.....	JCDC2-41.....	Schlauch.....	Dia.12"	1
42.....	JCDC2-42.....	Auffangtrommeldeckel.....		1
43A.....	JCDC2-43A	Auffangtrommelbaugruppe (Nr. 43 - 49)		1
43.....	JCDC2-43.....	Auffangtrommel		1
44.....	JCDC1.5-42.....	Stange.....		2
45.....	TS-081F031	Maschinenschraube, Flachkopf, Kreuzschlitz	1/4" x 1/2"	4
46.....	JCDC1.5-44.....	Gummiunterlage		1
47.....	JCDC1.5-45.....	PC-Platte		1
48.....	JCDC1.5-46.....	Niet	4-2	12
49.....	JCDC2-49.....	Schwenklaufrolle	Durchmesser 2"	4
50.....	SWSS3-201.....	Maulschlüssel	10-12 mm.....	1
51.....	TS-152705	Sechskantschlüssel	4mm.....	1
52.....	TS-152706	Sechskantschlüssel	5mm.....	1
53.....	JCDC2-53.....	Sendeteil der Fernsteuerung	RF	1
		Batterie (nicht dargestellt)	AAA, 1.5V	2
54.....	TS-0561021.....	Sechskantmutter	5/16"	6
55.....	JCDC2-55.....	Dichtung		1
56.....	JCDC1.5-52.....	Innensechskantknopfschraube.....	M5 x 6	6
57.....	TS-0270071.....	Innensechskantschraube.....	5/16" x 3/4"	1
58.....	TS-0561021.....	Sechskantmutter	5/16"	1
59A.....	JCDC1.5-55A	Griffeinheit (Nr. 59, 60, 61)		1
59.....	JCDC1.5-55.....	Stange.....		1
60.....	JCDC1.5-56.....	Griff.....		1
61.....	JCDC1.5-57.....	Rohrstopfen.....		1
62.....	JCDC2-62.....	Topffilter.....		1
63.....	JCDC1.5-59.....	Schaumstoffklebeband.....	L1265 x W20 x T3 /mm	1
64.....	JCDC1.5-60.....	Klammer		1
65.....	717511.....	Topf-Auffangbeutel für JCDC (Paket mit 5 Stück).....	600 x 500 /mm.....	1
66.....	JCDC1.5-62.....	Ölrückhaltering.....		2
67.....	JCDC1.5-63.....	Lagerdeckel.....		2
68.....	JCDC2-68.....	Welle		1
69.....	JCDC1.5-65.....	Befestigungsblock.....		1
70A.....	JCDC2-70A	Absteiferbaugruppe (Nr. 56, 66 bis 74)		1
70.....	JCDC1.5-66.....	Abstreifer.....		3
71.....	TS-1481031.....	Sechskantschraube.....	M5 x 12	8
72.....	TS-1540031.....	Sechskantmutter	M5.....	6
73.....	JCDC1.5-69.....	Tragplatte		1
74.....	5712561.....	Maschinenschraube, Flachkopf, Kreuzschlitz	M5 x 8	4
75.....	JCDC1.5-71.....	Sechskantflanschkopfschraube	1/4" x 1/2"	4
76.....	5711571.....	Maschinenschraube, Flachkopf, Kreuzschlitz	3/16" x 1/4"	1
77.....	JCDC1.5-74.....	Schaumstoffklebeband.....	L490 x W30 x T1 /mm	1
	JCDC2-HP	Hardwarepaket (Inhalt siehe 5.2).....		

Verdrahtungsplan für Fliehkraft-Staubabscheider JCDC-2.0-M

JCDC-2.0-M717520M1 Phase, 230 V, 50 Hz



JET

JCDC-2.0

Collecteur de poussière cyclonique

JCDC-2.0-M.....717520M1~230V, 50Hz

LISTE DE PIECES

JPW (Tool) AG

Tämperlistr. 5

CH-8117 Fällanden

Suisse

Téléphone +41 44 806 47 48

Fax +41 44 806 47 58

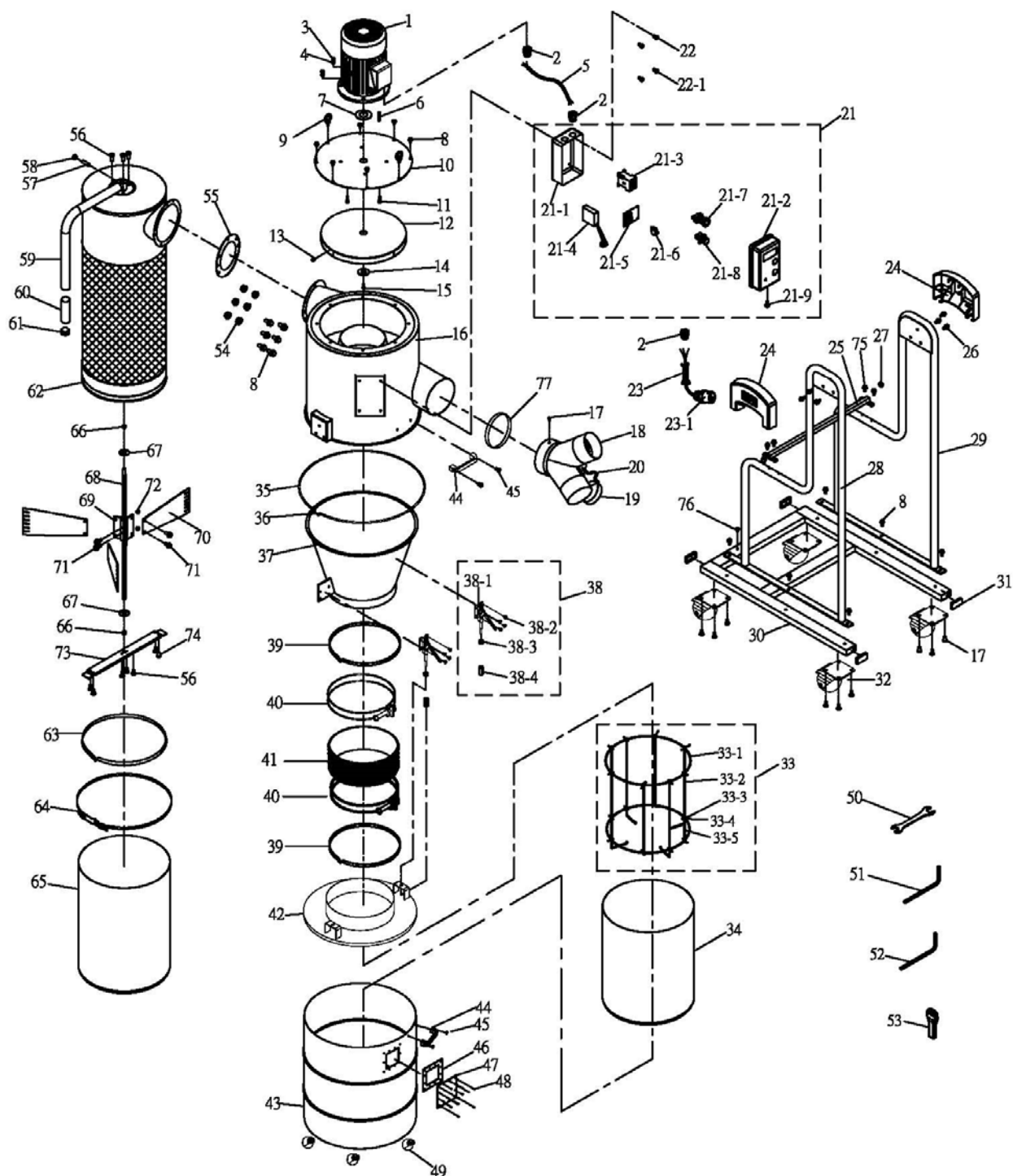
www.jettools.com

P-717520M

2016-04



Défaillance des pièces du collecteur de poussière cyclonique JCDC-2.0-M



Liste de pièces du collecteur de poussière cyclonique JCDC-2.0-M

N° d'index.	N° de pièce.	Description	Taille	Qté
1	502-B867	Moteur	2HP/230V/50HZ/1PH	1
	JCDC1.5-01SC	Condensateur de démarrage (non indiqué)	300MFD, 125VCA	1
	JCDC1.5-01RC	Condensateur de fonctionnement (non indiqué)	30uF, 250V	1
	JCDC1.5-01FC	Couvercle du ventilateur (non indiqué)		1
	JCDC1.5-01CF	Ventilateur de refroidissement (non indiqué)		1
	501-H035	Interrupteur centrifuge (non indiqué)		1
2	JCDC1.5-02	Décharge de traction	M20-13B/PG20	3
3	TS-0570021	Ecrou hexagonal	5/16"	4
4	TS-0720081	Rondelle de verrouillage	5/16"	4
5	503-J264	Cordon moteur	1,5mm ² x3Cx75CM	1
6	JCDC2-06	Clavette	7 x 7 x 25	1
7	JCDC2-07	Joint en caoutchouc		1
8	JCDC1.5-07	Vis à bride à tête hexagonale	5/16" x 3/4"	18
9	JCDC1.5-08	Boulon à oeillet	5/16"	2
10	JCDC2-10	Plaque du moteur		1
11	TS-0051051	Vis à tête hexagonale	5/16" x 1"	4
12	JCDC2-12	Roue du ventilateur	Dia. 14-1/2"	1
13	TS-0271071	Vis de réglage à douille	3/8" x 3/4"	1
14	JCDC1.5-14	Rondelle de verrouillage	Exclusif	1
15	JCDC1.5-15	Vis à tête à six pans creux (filetage gauche)	M6 x 20	1
16	JCDC2-16	Cylindre d'admission		1
17	5513357	Vis Mach, à tête cylindrique, Phillips	3/16" x 3/8"	17
18A	JCDC1.5-18A	Adaptateur d'admission (de #18 à 20)	6" x (2) 4"	1
18	JCDC1.5-18	Adaptateur d'admission	6" x (2) 4"	1
19	JCDC1.5-20	Bouchon d'adaptateur d'admission	4"	1
20	JCDC1.5-19	Chaîne		1
21	501-F101-2	Interrupteur (Index # 21-1 à # 21-9)		1
21-1	JCDC2-21-1	Boîtier de l'interrupteur – Couvercle inférieur		1
21-2	JCDC2-21-2	Boîtier de l'interrupteur – Couvercle supérieur		1
21-3	JCDC2-21-3	Contacteur	MA-09	1
21-4	JCDC2-21-4	Récepteur de commande à distance		1
21-5	JCDC2-21-5	Circuit imprimé		1
21-6	501-J005	Protection contre la surcharge	28A	1
21-7	JCDC2-21-7	Interrupteur de bouton-poussoir - Démarrage	Vert	1
21-8	JCDC2-21-8	Commutateur d'arrêt d'urgence		1
21-9	5711571	Vis Mach, à tête cylindrique, Phillips	3/16" x 1/4"	1
22	JCDC2-22	Vis Mach, à tête cylindrique, Phillips avec bride	3/16" x 3/8"	2
22-1	5513357	Vis Mach, à tête cylindrique, Phillips	3/16" x 3/8"	2
23	503-K021	Cordon d'alimentation avec fiche 1PH/230V CE	1,5mm ² x3Cx3.2M	1
	503-J221	Cordon d'alimentation (UK)	1,5mm ² x3Cx3.6M	1
23-1	501-D007	Fiche 1PH/230V CE (UK)	P-331	1
24	JCDC2-24	Bouchon latéral		2
25	JCDC2-25	Tube carré de connexion	19 x 19 x 620	1
26	JCDC1.5-25	Vis à bride à tête hexagonale	5/16" x 1/2"	6
27	JCDC1.5-24	Fiche du tuyau	19 x 19	2
28	JCDC2-28	Montant gauche		1
29	JCDC2-29	Montant droit		1
30	JCDC2-30	Base		1
31	JCDC2-31	Fiche du tuyau	60 x 30	4
32	JCDC2-32	Roulette oscillante	Dia. 2"	4
33	JCDC2-33	Kit de cadre du sac (#33-1 à 33-5)		1
33-1	JCDC2-33-1	Arceau	6T	2
33-2	JCDC2-33-2	Support de cadre du sac - Long	7mm	4

33-3.....	TS-1540011	Ecrou hexagonal	M3.....	16
33-4.....	JWL1221VS-314	Vis Mach, à tête cylindrique, Phillips.....	M3 x 12	16
33-5.....	JCDC2-33-5.....	Support de cadre du sac - Court	7mm.....	4
34.....	717521	Sac de collecte du cylindre pour JCDC-2 (pack de 5) ...	780 x 830 /mm	1
35.....	JCDC2-35.....	Serrage	Dia. 500 mm.....	1
36.....	TS-0050111.....	Vis à tête hexagonale	1/4" x 2-1/2"	1
37.....	JCDC2-37.....	Entonnoir cyclonique.....		1
38.....	JCDC1.5-36.....	Levier rapide (# 38-1 à 38-4)		2
38-1.....	JCDC1.5-36-1.....	Levier rapide.....		2
38-2.....	5712561.....	Vis Mach, à tête cylindrique, Phillips.....	M5 x 8	8
38-3.....	TS-0570031	Ecrou hexagonal	3/8"	2
38-4.....	JCDC1.5-36-4.....	Ecrou long.....	3/8"	2
39.....	JCDC2-39.....	Ruban en mousse	L970 x W30 x T1 /mm	2
40.....	JCDC2-40.....	Collier de serrage pour tuyaux	12-1/2"	2
41.....	JCDC2-41.....	Flexible	Dia. 12"	1
42.....	JCDC2-42.....	Lèvre du cylindre de collecte		1
43A.....	JCDC2-43A	Cylindre de collecte (#43 à 49)		1
43.....	JCDC2-43.....	Cylindre de collecte		1
44.....	JCDC1.5-42.....	Poignée.....		2
45.....	TS-081F031	Vis Mach, à tête plate, Phillips	1/4" x 1/2"	4
46.....	JCDC1.5-44.....	Coussin de caoutchouc.....		1
47.....	JCDC1.5-45.....	Plaque PC.....		1
48.....	JCDC1.5-46.....	Rivet.....	4-2	12
49.....	JCDC2-49.....	Roulette oscillante.....	Dia. 2"	4
50.....	SWSS3-201.....	Clé plate.....	10-12 mm.....	1
51.....	TS-152705	Clé hexagonale	4mm.....	1
52.....	TS-152706	Clé hexagonale	5mm.....	1
53.....	JCDC2-53.....	Emetteur de commande à distance	RF	1
		Batterie (non indiqué)	AAA, 1,5V	2
54.....	TS-0561021.....	Ecrou hexagonal	5/16"	6
55.....	JCDC2-55.....	Joint d'étanchéité		1
56.....	JCDC1.5-52.....	Vis à six pans creux	M5 x 6	6
57.....	TS-0270071	Vis de réglage à douille.....	5/16" x 3/4"	1
58.....	TS-0561021	Ecrou hexagonal	5/16"	1
59A.....	JCDC1.5-55A	Poignée (#59, 60, 61).....		1
59.....	JCDC1.5-55.....	Poignée		1
60.....	JCDC1.5-56.....	Poignée.....		1
61.....	JCDC1.5-57.....	Bouchon du tuyau		1
62.....	JCDC2-62.....	Filtre de la boîte.....		1
63.....	JCDC1.5-59.....	Ruban en mousse	L1265 x W20 x T3 /mm	1
64.....	JCDC1.5-60.....	Serrage		1
65.....	717511	Sac de collecte de la boîte pour JCDC (pack de 5)	600 x 500 /mm	1
66.....	JCDC1.5-62.....	Palier de retenue d'huile		2
67.....	JCDC1.5-63.....	Chapeau de palier.....		2
68.....	JCDC2-68.....	Arbre		1
69.....	JCDC1.5-65.....	Bloc de fixation		1
70A.....	JCDC2-70A	Raclair (#56,66 à 74).....		1
70.....	JCDC1.5-66.....	Raclair.....		3
71.....	TS-1481031.....	Vis à tête hexagonale	M5 x 12	8
72.....	TS-1540031	Ecrou hexagonal	M5.....	6
73.....	JCDC1.5-69.....	Plaque de support		1
74.....	5712561.....	Vis Mach, à tête cylindrique, Phillips.....	M5 x 8	4
75.....	JCDC1.5-71.....	Vis à bride à tête hexagonale	1/4" x 1/2"	4
76.....	5711571.....	Vis Mach, à tête cylindrique, Phillips.....	3/16" x 1/4"	1
77.....	JCDC1.5-74.....	Ruban en mousse	L490 x W30 x T1 /mm	1
	JCDC2-HP	Emballage du matériel (voir chap. 5.2 concernant les contenus) ...		

Schéma du circuit du collecteur de poussière cyclonique JCDC-2.0-M

JCDC-2.0-M717520M1~230V, 50Hz

