

# **JET**

**JWP-12**

**THICKNESS PLANER**

**10000840M/U**  
**230/50-60/1**

## **PARTS LIST**

**Walter Meier (Fertigung) AG**

Bahnstrasse 24

8603 Schwerzenbach

Switzerland

Phone +41 44 806 47 48

Fax +41 44 806 47 58

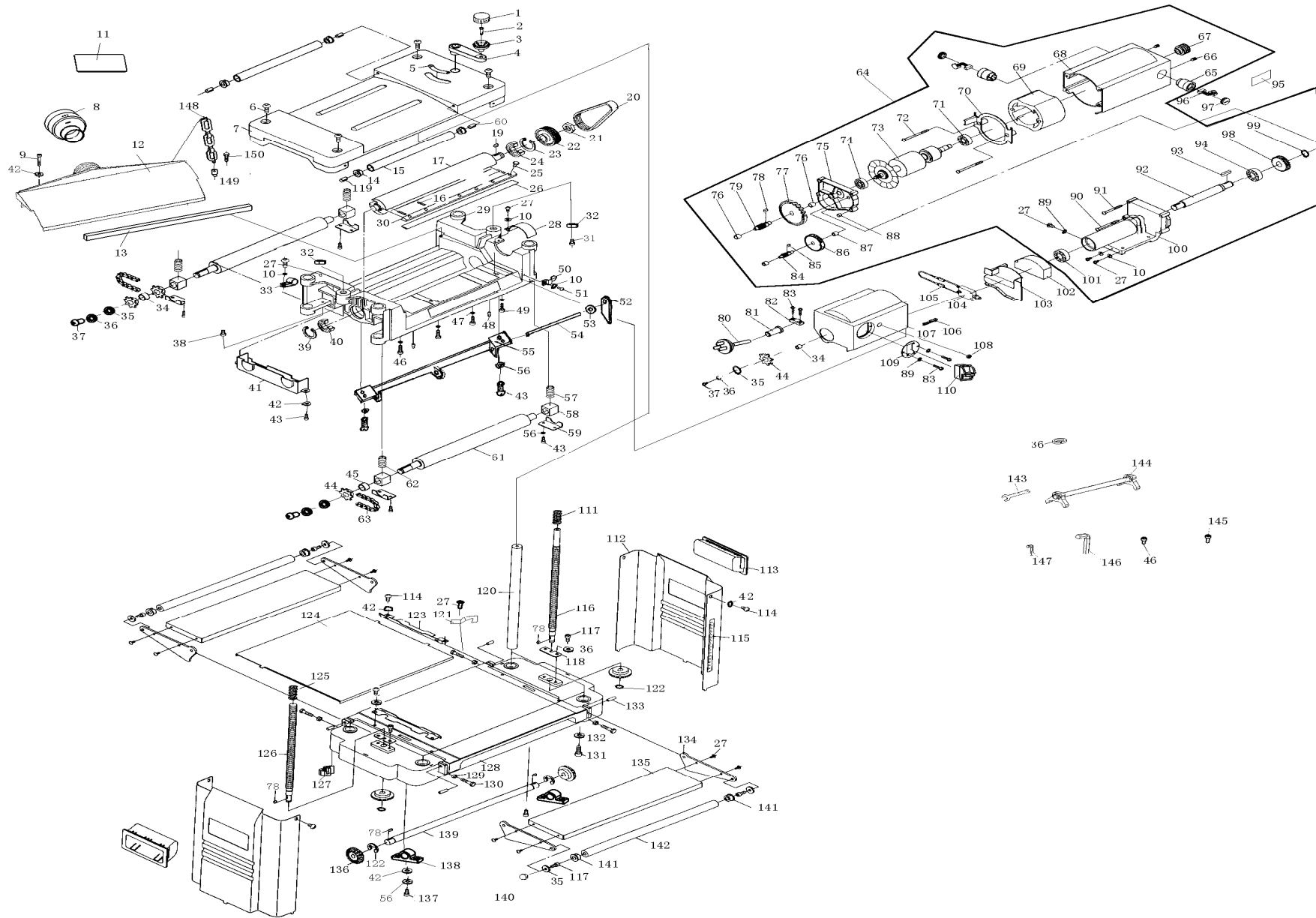
[jetinfo.eu@waltermeier.com](mailto:jetinfo.eu@waltermeier.com)

[www.jettools.com](http://www.jettools.com)



P-10000840M/U 2009/08/28

# Parts Breakdown For JWP-12 Thickness Planer



## Parts List For JWP-12 Thickness Planer

Index No.	Part No.	Description	Size	Qty.
1	JWP12-001	Cutter head handle		1
2	JWP12-002	Hex screw	M8	1
3	JWP12-003	Handle cover		1
4	JWP12-004	Link pole		1
5	JWP12-005	Rotation mark		1
6	JWP12-006	Screw	M8X12	4
7	JWP12-007	Upper guard body		1
8	JWP12-008	Dust adaptor		1
9	JWP12-009	Screw	M5x16	4
10	JWP12-010	Washer	4	21
11	JWP12-011	Warning label		1
12	JWP12-012	Dust port		1
13	JWP12-013	Sponge		1
14	JWP12-014	Stopper		4
15	JWP12-015	Transport roller		2
16	JWP12-016	Spring pin	3x8	4
17	JWP12-017	Blade shaft		1
18	JWP12-018	Spring		4
19	JWP12-019	Key	5x10	1
20	JWP12-020	Belt		1
21	JWP12-021	Nut	M16x1.5	1
22	JWP12-022	Wheel		1
23	JWP12-023	Retainer	35	1
24	JWP12-024	Bearing		1
25	JWP12-025	Screw		14
26	JWP12-026	Blade		2
27	JWP12-027	Screw	M4x8	21
28	JWP12-028	C-Cover		1
29	JWP12-029	Base		1
30	JWP12-030	Blade Clamp		2
31	JWP12-031	Screw bushing(B)		1
32	JWP12-032	Adjustment nut		2
33	JWP12-033	Cable clamp		1
34	JWP12-034	Bushing(A)		2
35	JWP12-035	Washer	6	7
36	JWP12-036	Wave washer	6	12
37	JWP12-037	Screw	M6x16	3
38	JWP12-038	Screw bushing(A)		1
39	JWP12-039	Retainer	40	1
40	JWP12-040	Bearing		1
41	JWP12-041	Sprocket wheel guard		1
42	JWP12-042	Washer	5	20
43	JWP12-043	Screw	M5X12	18
44	JWP12-044	Sprocket gear		4
45	JWP12-045	Bushing(B)		1
46	JWP12-046	Screw	M6X20	3
47	JWP12-047	Washer	6	4
48	JWP12-048	Pin		2
49	JWP12-049	Screw	ST6X20	2
50	JWP12-050	Scale indicator		1
51	JWP12-051	Screw	M4x10	2
52	JWP12-052	Plate against withdrawal		54
53	JWP12-053	Washer	6	53
54	JWP12-054	Pin shaft	φ6×308	1
55	JWP12-055	Anti-back support		1

**Parts List For JWP-12 Thickness Planer**

<b>Index No.</b>	<b>Part No.</b>	<b>Description</b>	<b>Size</b>	<b>Qty.</b>
56	JWP12-056	Wave washer	5	18
57	JWP12-057	Spring ( A )		1
58	JWP12-058	Bearing ( A )		4
59	JWP12-059	Bearing Clamp		4
60	JWP12-060	Pin shaft		2
61	JWP12-061	Roller guide		2
62	JWP12-062	Spring ( B )		3
63	JWP12-063	Chain		2
64	JWP12-064-1	Motor assembly 2000W		1
65	JWP12-065	Brush holder		2
66	JWP12-066	Screw	M5x10	2
67	JWP12-067	Belt wheel		1
68	JWP12-068	Motor housing		1
69	JWP12-069-1	Stator 2000W		1
70	JWP12-070	Baffle		1
71	JWP12-071	Bearing		1
72	JWP12-072-1	Screw	M5x65	2
73	JWP12-073-1	Armature 2000W		1
74	JWP12-074	Bearing		1
75	JWP12-075	Gearbox cover		1
76	JWP12-076	Bearing ( C )		2
77	JWP12-077	Gear ( B )		1
78	JWP12-078	Key	4x8	5
79	JWP12-079	Shaft(A )		1
80	JWP12-080	Power supply cord		1
81	JWP12-081	Cord sleeve		2
82	JWP12-082	Strain relief		1
83	JWP12-083	Screw	ST4.2×12	4
84	JWP12-084	Shaft ( B )		1
85	JWP12-085	Key	3x7	1
86	JWP12-086	Gear ( C )		1
87	JWP12-087	Bearing ( D )		2
88	JWP12-088	Pin		2
89	JWP12-089	Wave washer	4	3
90	JWP12-090	Screw	ST5×60	1
91	JWP12-091	Screw	ST5×50	3
92	JWP12-092	Shaft		1
93	JWP12-093	Key	4x10	1
94	JWP12-094	Bearing		1
95	JWP12-095	Rating label		1
96	JWP12-096	Carbon brush		2
97	JWP12-097	Brush cap		2
98	JWP12-098	Gear ( A )		1
99	JWP12-099	Retainer	16	1
100	JWP12-100	Gear box		1
101	JWP12-101	Bearing		1
102	JWP12-102	Sponge		1
103	JWP12-103	Dust guard		1
104	JWP12-104	Protector		1
105	JWP12-105	Plug		4
106	JWP12-106	Spring clip	φ1.8	3
107	JWP12-107	Cover		1
108	JWP12-108	Nut	M12	1
109	JWP12-109	Block		1

**Parts List For JWP-12 Thickness Planer**

<b>Index No</b>	<b>Part No</b>	<b>Description</b>	<b>Size</b>	<b>Qty.</b>
110	JWP12-110	Switch		1
111	JWP12-111	Compression spring		1
112	JWP12-112	Left & Right body cover		2
113	JWP12-113	Handle		2
114	JWP12-114	Screw	M5x8	8
115	JWP12-115	Scale		1
116	JWP12-116	Threaded pole ( A )		1
117	JWP12-117	Screw	M6x10	8
118	JWP12-118	Block		2
119	JWP12-119	Pin	6x22	2
120	JWP12-120	Column		4
121	JWP12-121	Spring plate		2
122	JWP12-122	Retainer	10	4
123	JWP12-123	Fence		2
124	JWP12-124	Work table		1
125	JWP12-125	Compression spring		1
126	JWP12-126	Threaded pole ( B )		1
127	JWP12-127	Anti-vibration pad		4
128	JWP12-128	Table base		1
129	JWP12-129	Nut	M6	4
130	JWP12-130	Bolt	M6x25	4
131	JWP12-131	Screw	M8x20	4
132	JWP12-132	Washer	8	4
133	JWP12-133	Spring pin	6x20	4
134	JWP12-134	Link block		4
135	JWP12-135	Work table extension		2
136	JWP12-136	Cone gear		4
137	JWP12-137	Screw	M5x12	4
138	JWP12-138	Bearing(B)		2
139	JWP12-139	Shaft		1
140	JWP12-140	Nut	M6	4
141	JWP12-141	Stopper ( B )		4
142	JWP12-142	Roll pole ( B )		2
143	JWP12-143	Wrench		1
144	JWP12-144	Knife calibrated block		1
145	JWP12-145	Screw	M8x45	4
146	JWP12-146	Hex. Wrench	5	1
147	JWP12-147	Hex. Wrench	4	1
148	JWP12-148	Chain		1
149	JWP12-149	Buckle		1
150	JWP12-150	Chain screw	M5x12	1